

Offer you the all kinds of machines & hardwares for the fabrication of yacht

Serve you with the best quality, technics and goodwill.



大鹿機械股份有限公司
GRAND DEER MACHINERY & HARDWARE CO., LTD.

Introduction of main manufacturers and firms who using our products.
使用本公司產品的主力廠商簡介

大洋遊艇企業股份有限公司
TA-YANG YACHT BUILDING CO., LTD.

高雄縣林園鄉中門村海墘路60號

Office & Factory: 60, Hai chien Rd., Chung Men Village,

Lin Yuan, Kaohsiung Hsien 832, Taiwan, R. O. C.

Tel: (07)641-2422, 641-2721-2

(07)333-0687, N.S. Chiu, Sales Manager (for night)

Telex: 71238 TA YANG

Cable: TAYANYACHT Lin Yuan.

大新遊艇股份有限公司
TA SHING YACHT BUILDING CO., LTD.

台南市安平工業區新義路4號

Office: 4 Shing Yih Road, An-Ping Industrial District, Tainan,

Taiwan, R. O. C.

Tel: (06) 2615176-9

Telex: 72590 TASHING

新高造船廠股份有限公司
SEN KOH SHIP BUILDING CO., LTD.

高雄市旗津區上竹里上竹巷164之6號 Tel: (07)5712023-5

高雄市鼓山區濱海二街70號

Office Address: 70, Ping-Hai 2nd St., Kaohsiung, Taiwan, R. O. C.

Tel: (07)551-4080, 551-6128.

Telex: 72133 SENKOH

統一遊艇公司
PRESIDENT MARINE LTD.

台南縣官田鄉官田工業區工業路17號

Office: 17, Kung Yeh Rd, Kuan Tien Industrial Zone, Tainan Hsien,

Taiwan, R. O. C.

Tel: (066)983112-3, 981370

Telex: 72315 PRESMARN



CONTENTS

目 錄

2617A	OPEN PORTLIGHTS	舷窗..... 2
2617B	OPEN PORTLIGHTS	橢圓型窗
2617C	OPEN PORTLIGHTS	舷方窗
2617D	MOSQUITO SCREEN	紗窗..... 3
1606A,B	CLEATS	羊角
1606C	CHOCKS	導繩器
1601D	STANCHIONS	欄杆柱
1601	STANCHION BASES	欄杆座
1602	ROPE DECK PIPES	甲板索口座..... 4
2603	HATCH HINGE	艙蓋鉸鏈
2609	HATCH HOOK	艙蓋鉤
2609A	SLIDING DOOR LATCH	滑動門門
2620	FLUSH RING CATCHES	指扣門門
2620A	FLUSH SUNK SLIDE	天地門
2653	DOOR BOLTS	門板扣
2658	HOLD DOWN	艙蓋門板扣
2657	DOOR HINGES	彎型鉸鏈
2621	WINDOW ANTI-RATTLER	窗戶固定器
2611A	CABIN HOOK	活動門鉤..... 5
2611B	PORTLIGHT CHAIN	舷窗鉤
2654	BUTT HINGES	活頁
2655	"T" HINGES	丁字型鉸鏈
2652	PULL-OUT DOOR HINGES	橄欖鉸鏈
2656	DOOR HANDLE	櫥門手把
2659	DOOR LOCK	拍拍手
2660	RAILING LOCK & HINGE	欄杆活頁..... 6
2663	SKYLIGHT HINGES	天窗鉸鏈
24-1	DOME LIGHT	菊花燈
1633A	DECK PLATE	通風筒4AC
1633B	COWL VENTILATOR	通風筒
1634	MUSHROOM VENTILATOR	香菇型通風筒... 7
7606	SHIP'S BELL	霧鐘
1630	ORLOCK HORNS	舢舨木槳座
7601	BOAT HOOKS	船鉤
7610	WINCH HANDLES	絞盤手把..... 8
7612	HATCH & SKYLIGHT OPENER	舉蓋器
2601A	LIFT PULL	地板鉤
2601B	FLUSH LIFT RING RECTANGULAR	地板鉤大A
1604	RAD EYE	菱型座
1605	TRACK SLIDER NICRO TRACK STOP	托橋
7605	FORGED "D" SHACKLE	縮果
7607	SNATCH BLOCK	活門滑車..... 9
7608A	SINGLE BLOCK	單滑輪無尾滑車
7608B	SINGLE BLOCK WITH BECKET	單滑輪有尾滑車
7609A	DOUBLE BLOCK	雙滑輪無尾滑車
7609B	DOUBLE BLOCK WITH BECKET	雙滑輪有尾滑車
1629	ANCHOR WINDLASS	起錨機
1626	BOW-ROLLERS	艏部錨鏈架.....10
1642	ANCHOR	船錨
7644	TABLE PEDESTAL	升降桌腳
1603A	HOSE DECK PLATE	甲板水油箱入口
1603B	HOSE DECK PLATE OPENER	甲板水油箱入口手把
5601	TC SEACOCK	球塞凡而.....11
5604A	90° TAIL PIECES	彎頭接管
5604B	STRAIGHT TAIL PIECES	直接接管
5607A,B	THRU-HULL FITTINGS	出水口
5607C	HIGH-SPEED INTAKE STRAINER	海底門
5607D	SCOOP STRAINER	杓型濾網
5608	SEA WATER STRAINER	主機濾水器.....12
5622	BILGE PUMP	艙水泵
3601	STEERING WHEEL	駕駛盤
3603	PEDESTAL STEERERS	操舵輪管座.....13
3605	QUADRANTS	舵柄.....14
3616	WIRE ROPE SHEAVE	滑輪
3617	ADJUSTABLE DOUBLE IDLER ON PLATE	舵鋼索輪及座
3618	UPRIGHT SHEAVE & STAINLESS BASE	單滑輪及座
1638	PELICAN HOOK	欄杆活口鉤
7602A	WIRE TERMINAL	鋼索頭.....15
7602B	FORK TERMINAL	開口型鋼索頭
1636	LIFE LINE FORK TERMINAL	開口型鋼索頭
1637	LIFE LINE WIRE TERMINAL	圓圈型鋼索頭
1639	LIFE LINE TURNBUCKLES	欄杆伸縮器
1631	DRAWER HANDLE	抽屜手把
7603B,C	TURNBUCKLES	伸縮器.....16



2617A-B

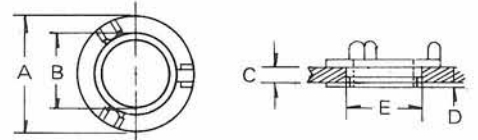


2617A-S

2617A OPEN PORTLIGHTS 舷圓窗

They are watertight Material: BS & SS

SIZE		A ϕ	B ϕ	C	D	E ϕ
6"	inch	8 1/2	5 3/4	1 1/4	1/4	6
	mm	216	146	32	6.4	152
8"	inch	10 7/16	7 7/8	1 1/2	1/4	8
	mm	266	187	38	6.4	202.5

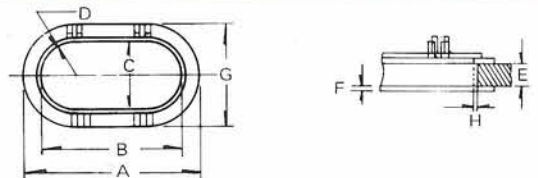


2617B

2617B OPEN PORTLIGHTS 橢圓型窗

They are self-draining Material: BS

SIZE		A	B	C	D ϕ	E	F	G	H
5"x12"	inch	14 9/16	12	5	2 9/16	1 1/4	3/32	7 9/16	1/8
	mm	370	305	127	65	31	2.5	192	3
6"x13"	inch	15 5/8	13	6	3 5/16	1 5/16	3/32	8 9/16	1/8
	mm	396	328	153	77.5	33	2.5	218	3

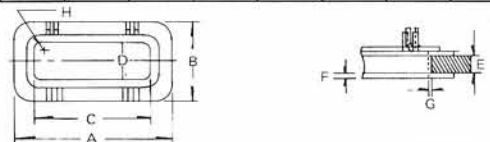


2617C-B

2617C OPEN PORTLIGHTS 舷方窗

Material: BS & SS

SIZE		A	B	C	D	E	F	G	H ϕ
5"x12"	inch	14 13/16	7 13/16	12	5	1 3/16	1/8	3/16	1
	mm	377	199	305	127	30	3	5	25
7"x14"	inch	16 9/16	9 13/16	14	7	1 1/8	1/8	3/16	1
	mm	421	249	356	179	28	3	5	25
7"x16"	inch	19 5/16	10 1/2	16	7	2 5/8	3/16	1/4	1
	mm	491	266	406	179	67	5	6	25



2617C-S1



2617C-S2

2617D



2617D MOSQUITO SCREEN 砂窗

Mosquito screens of foreigning portlights are available

Material: SS

1606A



1606A CLEATS 羊角

Material: SS

SIZE		Length	Height	Fastening
10"	inch	10x2 ³ / ₄	1 ¹ / ₈	1/4
	mm	254x70	48	6
8"	inch	8x2 ¹ / ₂	1 ¹ / ₂	1/4
	mm	203x64	38	6
6"	inch	6x2 ¹ / ₂	1 ¹ / ₄	1/4
	mm	152x64	32	6

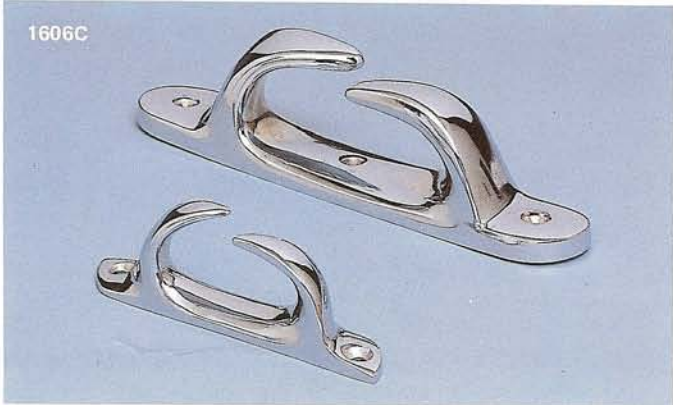
1606B

1606B CLEATS 羊角

Material: SS

SIZE		Length	Height	Fastening
6"	inch	6x2	1 ¹ / ₈	8 #
	mm	152x51	29	8 #

1606C

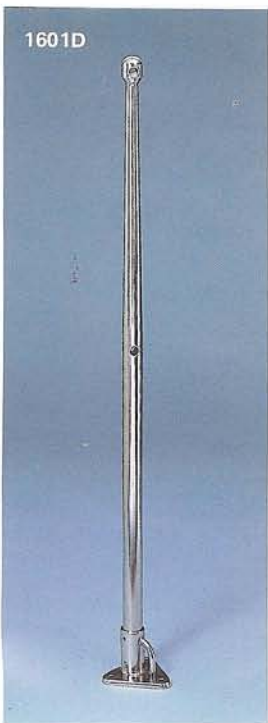


1606C CHOCKS 導繩器

Material: SS

SIZE		Length	Height	Fastening
6"	inch	6x1	1 ³ / ₄	1/4
	mm	152x25	45	6
10"	inch	10x1 ¹ / ₄	2 ¹ / ₄	3/8
	mm	254x32	57	10

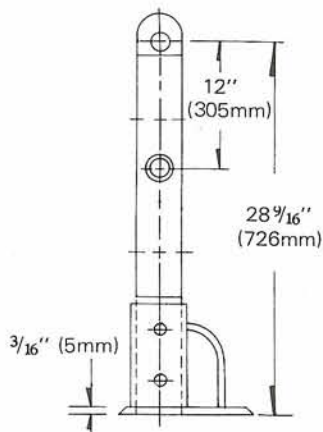
1601D



1601D STANCHIONS 欄杆柱

Material: S. S.

SIZE: 1/16" x 1" x 28"
(1.5mm x 25mm x 711mm)



1601



1601 STANCHION BASES 欄杆座

1601A 90° ROUND BASE 1"

Material: S. S.

SIZE: 2⁷/₈" x 2¹/₂" (73mm x 63mm)

1601B 60° ROUND BASE 1" 60°

Material: S. S.

SIZE: 2⁷/₈" x 2¹/₂" (73mm x 63mm)

1601C 90° TRIANGLE BASE

Material: S. S.

SIZE: 1" 3" x 2³/₄" (76mm x 70mm)

1¹/₄" 3³/₈" x 3⁹/₁₆" (86mm x 91mm)



1602

1602 ROPE DECK PIPES 甲板索口座

Material: BS & SS

SIZE: 3 5/8" x 5" (92mm x 127mm)

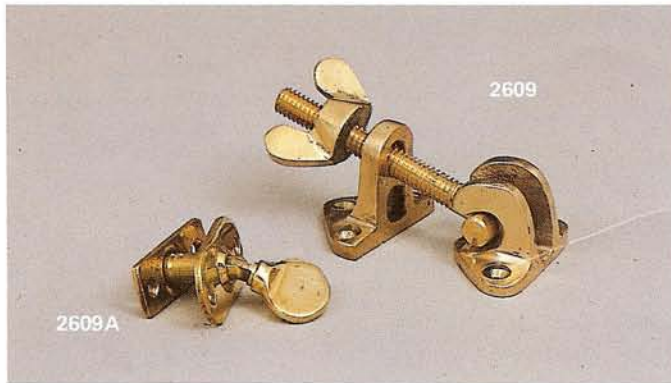


2603

2603 HATCH HINGE 艙蓋鉸鏈

Material: SS

SIZE: 3" x 2 1/2" (76mm x 64mm)



2609

2609 HATCH HOOK 艙蓋鉤

Material: BS

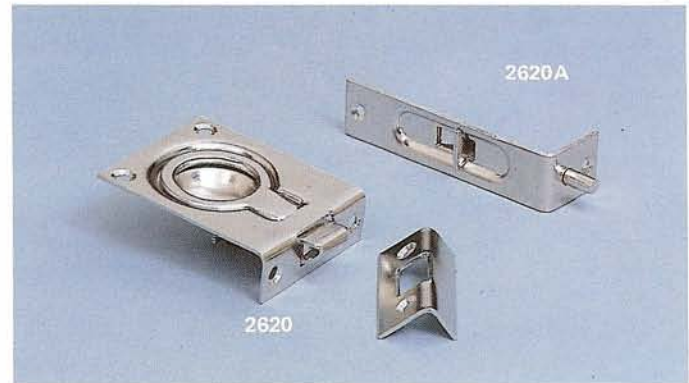
SIZE: 2 7/8" x 1 1/2" (73mm x 38mm)

2609A

2609A SLIDING DOOR LATCH 滑動門門

Material: BS

SIZE: 1/2" x 5/16" (13mm x 8mm)



2620A

2620 FLUSH RING CATCHES 指扣門門

Material: SS

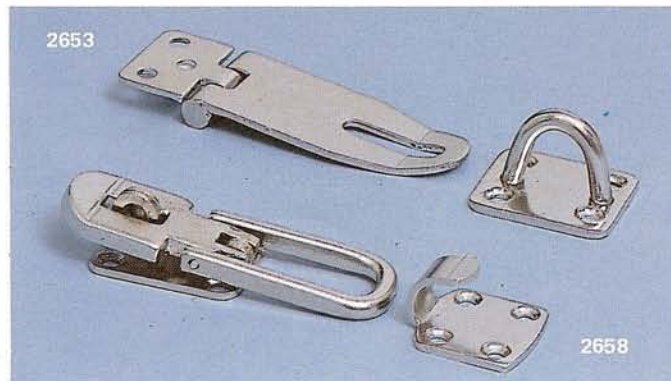
SIZE: 2 1/8" x 1 1/2" (54mm x 38mm)

2620

2620A FLUSH SUNK SLIDE BOLT 天地門

Material: SS

SIZE: 2 3/8" x 9/16" (59mm x 14mm)



2653

2653 DOOR BOLTS 門板扣

Material: SS

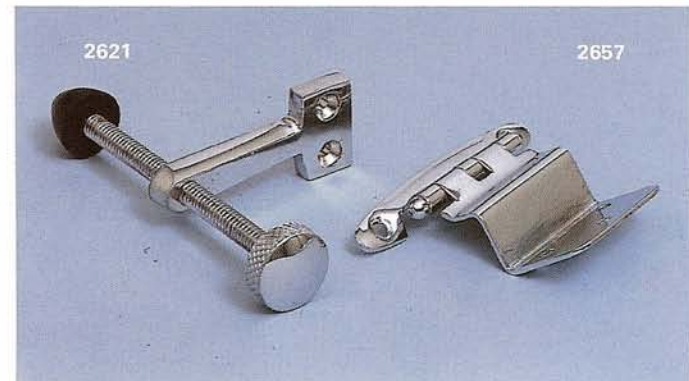
SIZE: 2 7/8" x 1 3/16" (73mm x 30mm)

2658

2658 HOLD DOWN 艙蓋門板扣

Material: SS

SIZE: 4" x 1" (100mm x 25mm)



2621

2657 DOOR HINGES 彎型鉸鏈

Material: Chromed Bronze

SIZE: 2 1/4" x 2 3/4" (57mm x 70mm)

2657

2621 WINDOW ANTI-RATTLER 窗戶固定器

Material: Chromed Bronze

SIZE: 3" x 1/4" (71mm x 6mm)

3 1/2" x 1/4" (89mm x 6mm)



2611A CABIN HOOK 活動門鈎

Material: SS

SIZE: 4 1/8" x 1/4" (105mm x 6mm)

2611B PORTLIGHT CHAIN 舷窗鈎

Material: SS

SIZE: 7 3/4" x 3/16" (197mm x 5mm)



2654 BUTT HINGES 活頁

Material: SS

SIZE: 6" x 5" (152mm x 127mm)

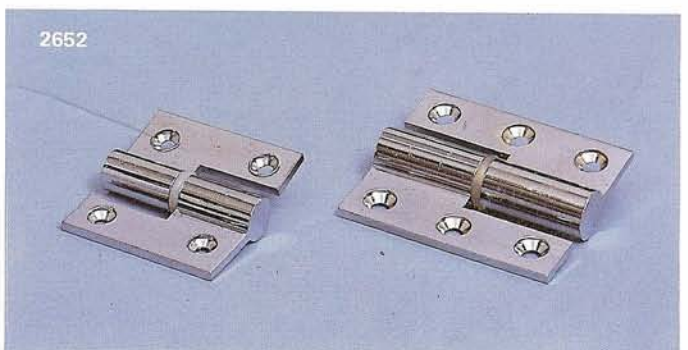
2 1/2" x 1 5/8" (64mm x 42mm)



2655 "T" HINGES 丁字型鉸鏈

Material: SS

SIZE: 3 3/8" x 2" (86mm x 51mm)



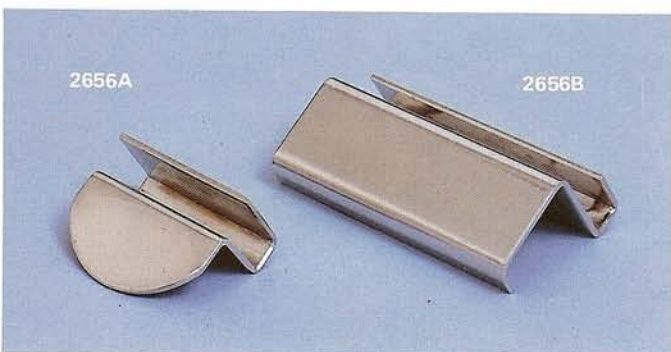
2652 PULL-OUT DOOR HINGES 橄欖鉸鏈

Material: BS & Chromed Bronze

SIZE: 1 1/2" x 1 1/2" (38mm x 38mm)

2" x 1 3/4" (49mm x 45mm)

Both right and left side.



2656 SLIDING WINDOW HANDLE 把手

Material: SS

SIZE: A - 1 1/2" x 1 1/8" (38mm x 29mm)

B - 2 1/2" x 1 1/2" (69mm x 38mm)



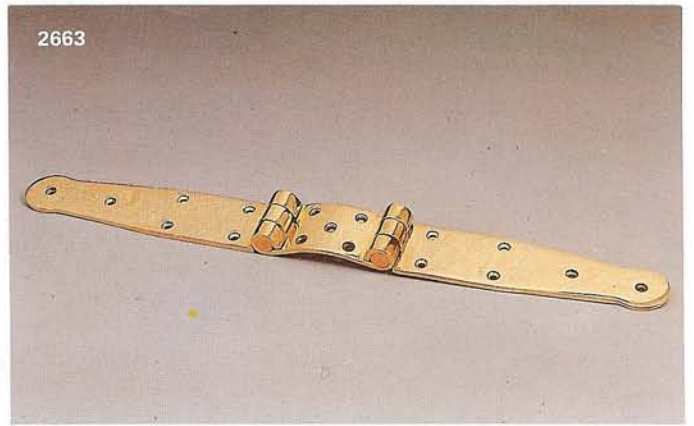
2659 DOOR LOCK 拍拍手

Material: SS

SIZE: 1 1/8" x 1 5/16" (29mm x 33mm)



2660 RAILING LOCK & HINGE 欄杆活頁
Material: SS
 SIZE: 5 1/16" x 2 5/8" (129mm x 66mm)



2663 SKYLIGHT HINGES 天窗鉸鏈
Material: BS
 SIZE: 3/16" x 1 3/4" x 18" (5mm x 39mm x 457mm)



24-1 DOME LIGHT 菊花燈
Material: SS
 SIZE: 6 11/16" x 2 3/16" (170mm φ x 55mm)



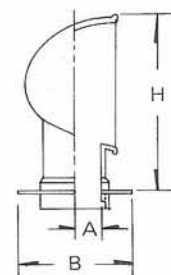
1633A DECK PLATE 通風筒4 AC
Material: BS & SS & Chromed Bronze
 SIZE: 3" x 3/4" (71mm x 19mm)
 4" x 3/4" (102mm x 19mm)



1633B COWL VENTILATOR 通風筒

Material: SS

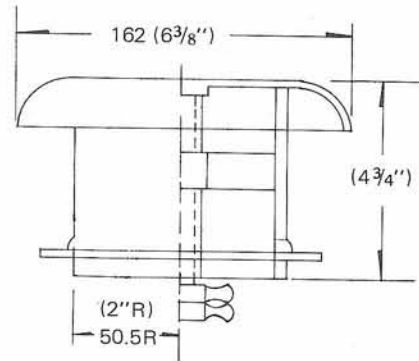
SIZE	A		B		H	
	inch	mm	inch	mm	inch	mm
3"	1 1/2	38	8 3/8	213	4 5/8	115
4"	2	51	11 3/8	289	5 5/8	143



1634



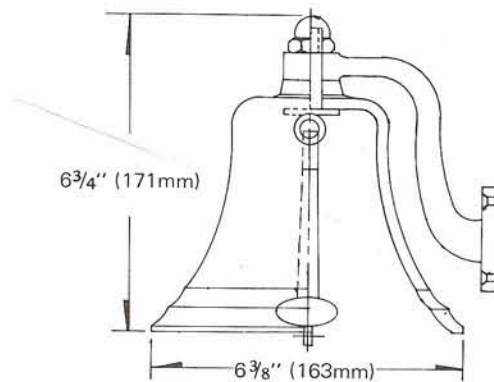
1634 MUSHROOM VENTILATOR 香菇型通風筒
Material: BS



7606



7606 SHIP'S BELL 霧鐘
Material: BS



1630



1630 OARLOCK HORNS 舢板木槳座

Material: BS

SIZE: A - 6 1/8'' x 3 1/2'' (155mm x 88mm)

B - 5 7/8'' x 3 1/2'' (149mm x 88mm)

7601



7601 BOAT HOOKS 船鈎

Material: BS

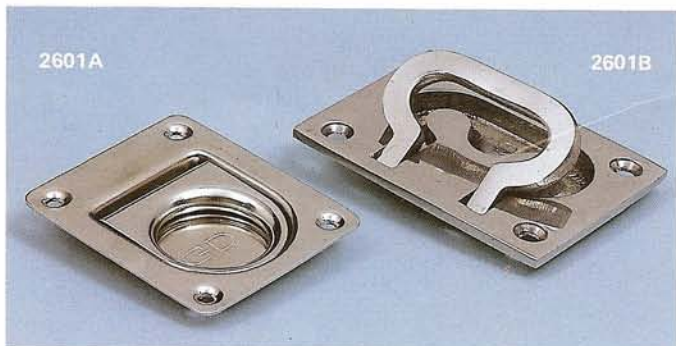
SIZE: 8 1/2'' x 3 1/4'' (216mm x 83mm)



7610 WINCH HANDLES 鉸盤手把
Material: SS
 SIZE: 8" (203mm) Length
 10" (255mm) Length



7612 HATCH & SKYLIGHT OPENER 舉蓋器
Material: SS
 SIZE: 6" (152mm) Length
 8" (203mm) Length
 10" (255mm) Length

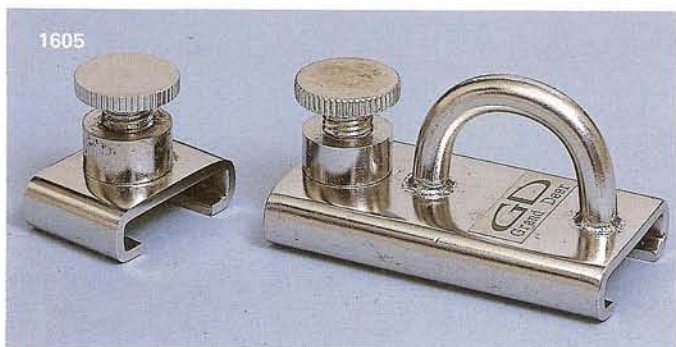


2601A LIFT PULL 地板鉤
Material: SS
 SIZE: 2 5/8" x 2 3/16" (67mm x 56mm)

2601B FLUSH LIFT RING RECTANGULAR 地板鉤大A
Material: SS
 SIZE: 3" x 2 1/4" (71mm x 57mm)



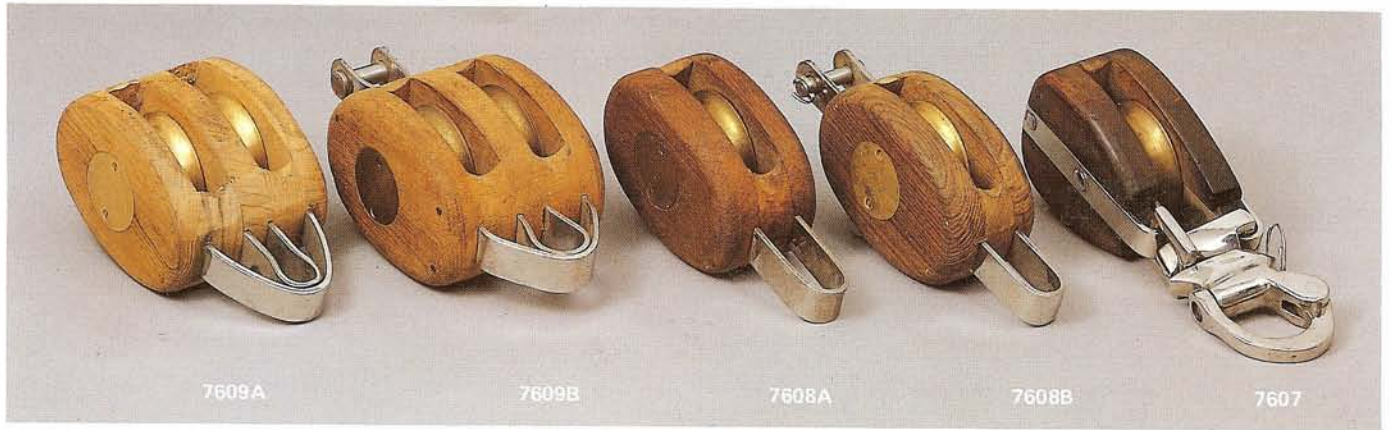
1604 PAD EYE 菱型座
Material: SS
 SIZE: 4 1/8" x 2 5/16" x 3/8" (100mm x 61mm x 9mm)
 2 3/4" x 1 1/2" x 5/16" (70mm x 38mm x 8mm)



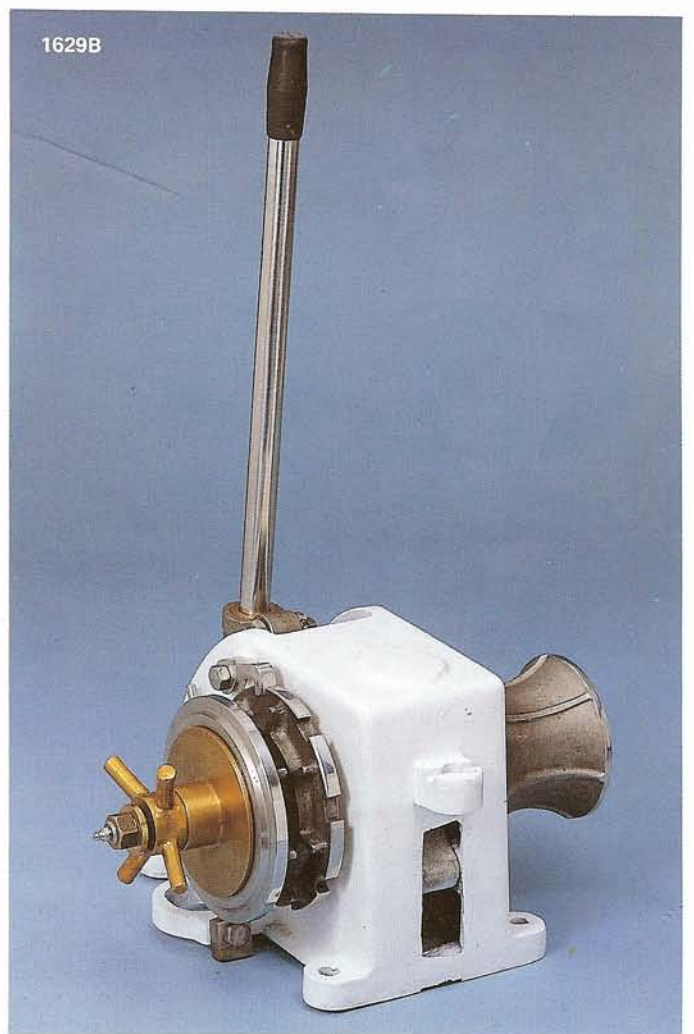
1605 TRACK SLIDER MICRO TRACK STOP 托橋
Material: SS
 SIZE: 1" (25mm)
 SIZE: 3" (76mm)
 Track Size: 1 1/4" x 3/16" (32mm x 5mm)



7605 FORGED "D" SHACKLE 縮果"
Material: SS
 SIZE: 3/4" x 1 7/16" x 5/16" (19mm x 37mm x 8mm)
 1" x 1 1/2" x 5/16" (25mm x 38mm x 8mm)
 SWL/Breaking Coad 7260 "lb"



- | | | |
|-------|--------------------------|---------|
| 7607 | SNATCH BLOCK | 活門滑車 |
| 7608A | SINGLE BLOCK | 單滑輪無尾滑車 |
| 7608B | SINGLE BLOCK WITH BECKET | 單滑輪有尾滑車 |
| 7609A | DOUBLE BLOCK | 雙滑輪無尾滑車 |
| 7609B | DOUBLE BLOCK WITH BECKET | 雙滑輪有尾滑車 |



1629 ANCHOR WINDLASS 起錨機

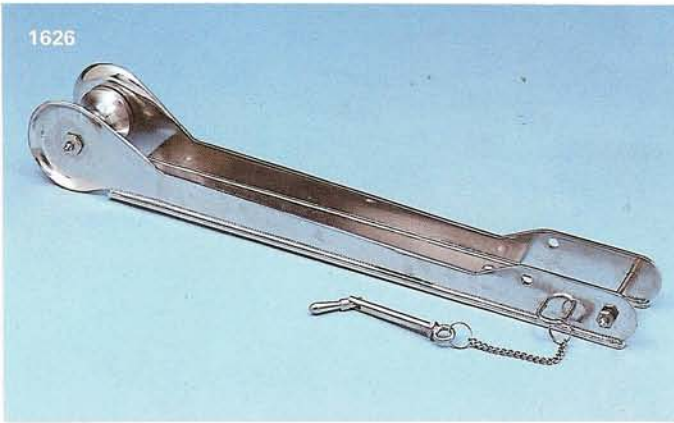
Material: AL & BS

(a) Double acting lever operation

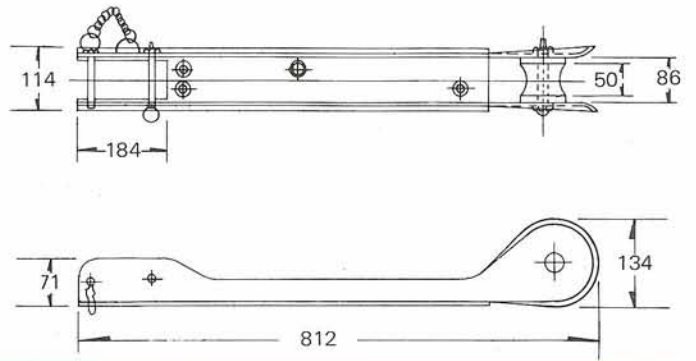
(b) Wildcat for $\frac{5}{16}$ " PC or $\frac{3}{8}$ " high tensile chain

(c) Enclosed a handle (size: 1")

SIZE: $12\frac{1}{8}$ " x $16\frac{1}{8}$ " x $9\frac{3}{8}$ " (309mm x 410mm x 213mm)



1626 BOW-ROLLERS 艏部錨鏈架
Material: SS



7644

7644 TABLE PEDESTAL 升降桌脚

Material: SS
SIZE: 1½" x 22" x 28"
(38mm x 558mm x 711mm)

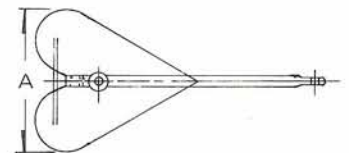
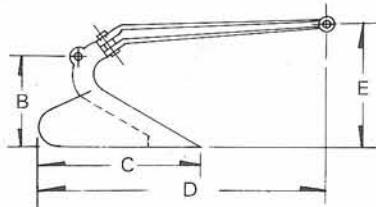


1642

1642 ANCHOR 船錨

Material: Iron & SS

Size	A		B		C		D		E	
	inch	cm	inch	cm	inch	cm	inch	cm	inch	cm
25 lbs	12	30½	7¾	19¾	16¾	41¾	32	81¾	12	30½
35 lbs	13½	34¾	7¾	19¾	18¾	46¾	34¾	87	18	45¾
45 lbs	14½	36¾	10	25½	20¾	51½	39	99	17	43¾
60 lbs	15¾	40	10½	26¾	22¾	57¾	41¾	104¾	19½	49½



1603

1603A HOSE DECK PLATE (WATER, FUEL, HOLDING) 甲板水油箱入口(水、油、污水)

Material: SS

SIZE	Hose Size		Length	
	inch	mm	inch	mm
1½	1½	38	4½	114
2	2	51	4	101

1603B HOSE DECK PLATE OPENER 甲板水油箱入口手把

Material: SS
SIZE: 4¾" x 1¾" (111mm x 44mm)



5601 TC SEACOCK 球塞凡而

(a) SIZE: 3/4", 1", 1 1/4", 1 1/2", 2"
(19mm, 25mm, 32mm, 38mm, 51mm)

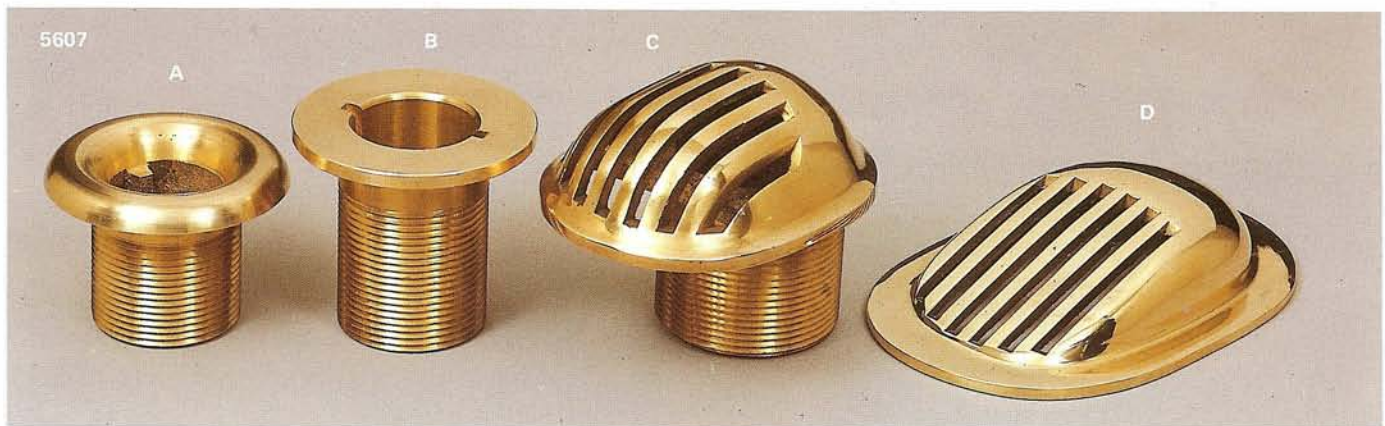
- (b) Bronzed Castings
- (c) Bearing 10lbs water pressure
- (d) Full round pipe size flow
- (e) Rubber plug seals, tight in open or closed position

5604A 90° TAIL PIECES 彎頭接管

5604B STRAIGHT TAIL PIECES 直接接管

Material: BS

SIZE inch	Hose ID		Fits Sea-Cock	
	inch	mm	inch	mm
3/8	1/2	13	3/8	10
1/2	3/4	19	1/2	13
3/4	1	25	3/4	19
1	1 1/4	32	1	25
1 1/4	1 1/2	38	1 1/4	32
1 1/2	1 3/4	45	1 1/2	38
2	2 3/8	60	2	51



5607A,B THRU-HULL FITTINGS 出水口

Material: BS

SIZE inch	Length		Sea-Cock Size	
	inch	mm	inch	mm
3/4	1 3/4	45	3/4	19
1	1 3/4	45	1	25
1 1/4	1 3/4	45	1 1/4	32
1 1/2	1 3/4	45	1 1/2	38
2	3	76	2	51

5607C HIGH-SPEED INTAKE STRAINER 海底門

Material: BS

SIZE inch	Length		Sea-Cock Size	
	inch	mm	inch	mm
3/4	2 3/8	60	3/4	19
1	2 3/8	60	1	25
1 1/2	2 3/8	60	1 1/2	38
2	2 3/8	60	2	51

5607D SCOOP STRAINER 杓型濾網

Material: BS

O. D.: 6 1/8" x 4 1/8" (155mm x 105mm)



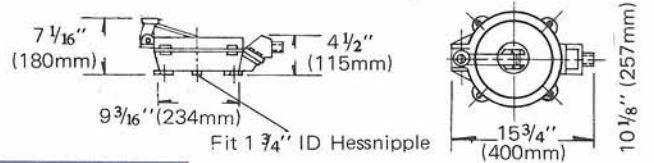
5608

5608 SEA WATER STRAINER 主機濾水器
 SIZE: 1" (25mm), 1 1/2" (38mm)



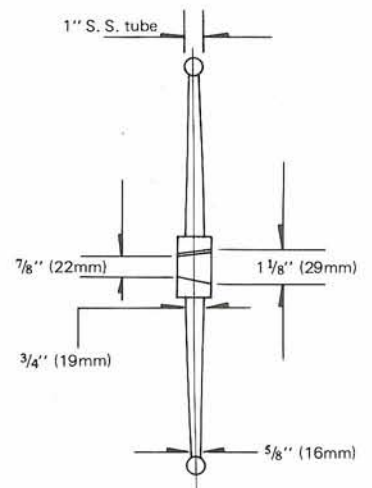
5622

5622 BILGE PUMP 艙水泵 *Material: Bronze*
 Enclosed a handle. (size: 7/8")



3601

3601 STEERING WHEEL 駕駛盤
Material: SS
 Hub Length: 2 1/8" (54mm)
 Key: 1/4" x 1/4" (7mm x 7mm)
 Available Size: 26", 28", 30", 36"





3603A



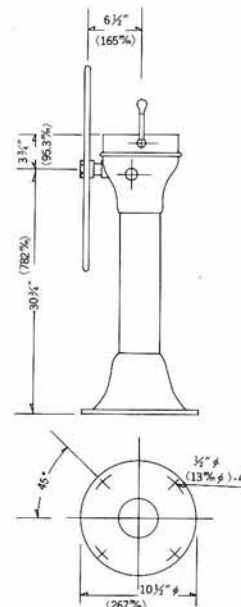
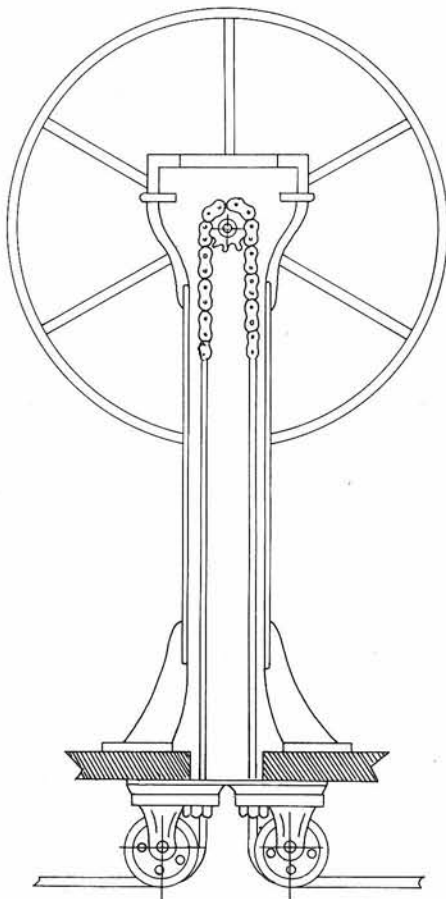
3603B



3603 PEDESTAL STEERERS 操舵輪管座

Base and Head Material: Bronze or Stainless Steel
Middle Tube Material: SS

No. Teeth	Chain Size	Bore Size
11	50 #	1 1/8"
11	50 #	29mm

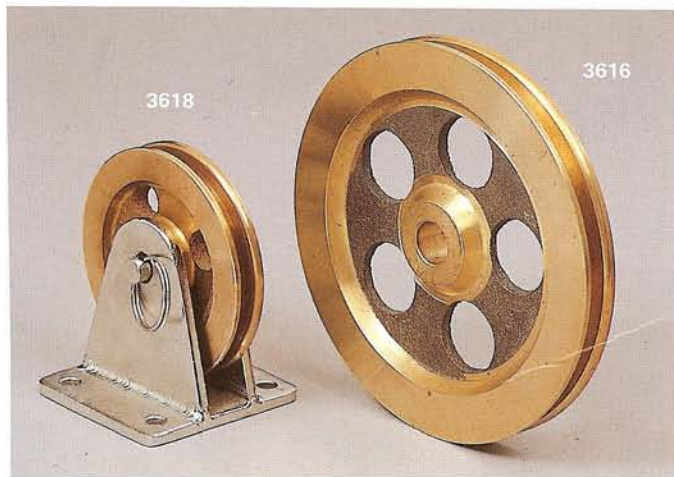




3605 QUADRANTS 舵柄

Material: BS

Size Quadrant Radius		Length	Distance Thru Hub	Distance Quarter
14"	inch	6 7/16	1 5/8	3/16 ~ 1/4
	mm	163	40	5 ~ 7



3616 WIRE ROPE SHEAVE 滑輪

Material: BS

SIZE	Sheave O. D.	Pin Size	HUB Thickness	Wire Size
3 1/2"	inch	3 1/2	1 1/16	3/16 ~ 1/4
	mm	89	18	5 ~ 7
5 1/2"	inch	5 1/2	1 1/16	3/16 ~ 1/4
	mm	140	18	5 ~ 7
6"	inch	6	5/8	1/4 ~ 5/16
	mm	152	16	7 ~ 9



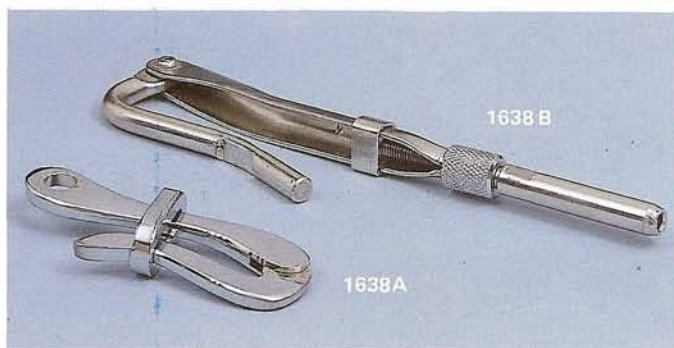
3617 ADJUSTABLE DOUBLE IDLER ON PLATE 舵鋼索輪及座

Material: BS

SIZE	Sheave O. D.	Base Size	Bolt Size	Total Height	Wire Size
5 1/2"	inch	10 5/8 x 8	5/8	6 11/16	3/16 ~ 1/4
	mm	270 x 203	16	176	5 ~ 7

3618 UPRIGHT SHEAVE & STAINLESS BASE 單滑輪及座

SIZE: 3 1/2" (89mm)



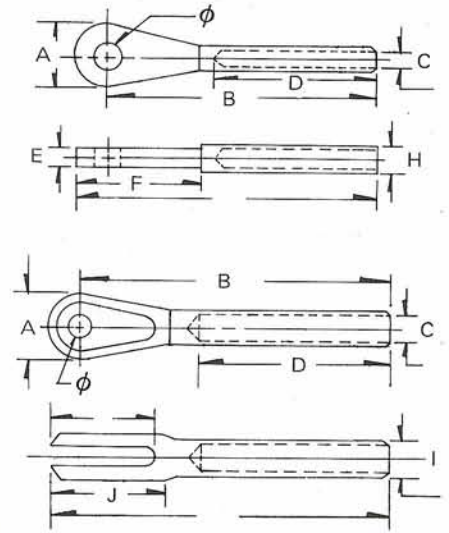
1638 PELICAN HOOK 欄杆活口鉤

SIZE: A - 3 1/2" x 1 1/8" (88mm x 28mm)

Material: Chromed Bronze

B - 7" x 3/16" (780mm x 5mm)

Material: SS



7602A WIRE TERMINAL 鋼索頭

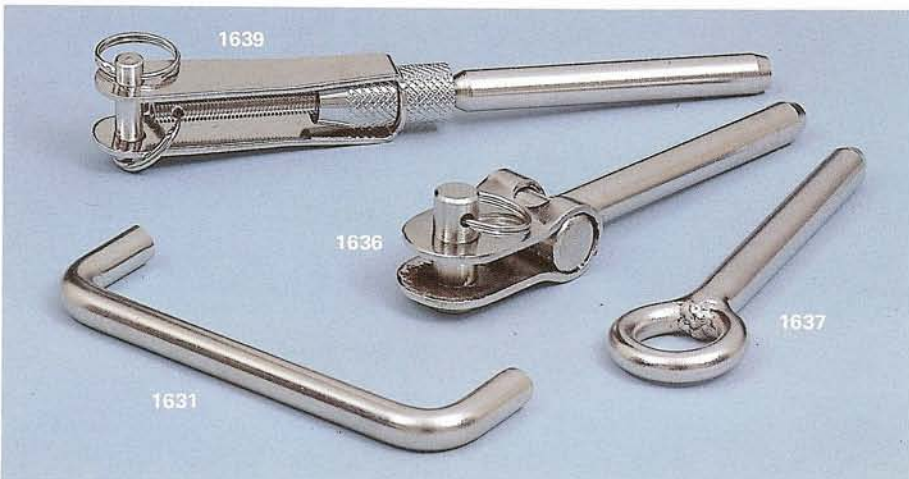
Material: SS

SIZE		A		B		C		D		E		F		H		L		ϕ	
inch	mm	inch	mm	inch	mm	inch	mm	inch	mm	inch	mm	inch	mm	inch	mm	inch	mm	inch	mm
3/8	10	3/4	19.8	3 7/16	87.1	3/16	5	2 1/4	57	5/16	8	1 1/4	32.2	3/8	9.10	3 7/8	98	3/8	9.5
1/2	13	1	24.6	4 3/8	111.7	1/4	6.70	3	75	3/8	9.6	1 1/2	39.3	1/2	12.5	4 7/8	124	1/2	13
5/8	16	1 1/4	32.13	5 1/8	130.9	5/16	8.2	3 1/2	89	9/16	14.2	1 7/8	48.2	5/8	16	5 3/4	147	5/8	16
3/4	19	1 1/2	38	6 3/8	162	3/8	9.85	4 1/2	114	5/8	16	2 1/4	57.7	3/4	19.8	7 1/8	181	3/4	19

7602B FORK TERMINAL 開口型鋼索頭

Material: SS

SIZE		A		B		C		D		E		F		G		I		J		L		ϕ	
inch	mm	inch	mm	inch	mm	inch	mm	inch	mm	inch	mm	inch	mm	inch	mm	inch	mm	inch	mm	inch	mm	inch	mm
3/8	10	3/4	19.8	3 5/8	93.1	3/16	5.00	2 1/4	57	1 1/4	32.2	1/2	13.8	1/4	6.6	3/8	9.1	1 1/2	38.2	4 1/16	103	3/8	9.5
1/2	13	1	24.6	4 5/8	117.6	1/4	6.7	3	75	1 1/2	39.3	5/8	17.4	5/16	7.69	1/2	12.5	1 3/4	45.3	5 1/8	130	1/2	13
5/8	16	1 1/4	32.1	5 3/8	136.1	5/16	8.2	3 1/2	89	1 7/8	48.2	3/4	19.43	5/16	8.30	5/8	16	2 1/8	54.2	6	153	5/8	16
3/4	19	1 1/2	38.1	6 5/8	168	3/8	9.8	4 1/2	114	2 1/4	57.7	7/8	21	3/8	9.65	3/4	17.8	2 1/2	63.7	7 3/8	187	3/4	19



1636 LIFE LINE FORK TERMINAL 開口型鋼索頭

Material: S. S

SIZE		Wire		Length	
inch	mm	inch	mm	inch	mm
3/8	10	5/32	4	4	101
3/8	10	3/16	5	4	101

1637 LIFE LINE WIRE TERMINAL 圓圈型鋼索頭

Material: S. S

SIZE		Wire		Length	
inch	mm	inch	mm	inch	mm
3/8	10	3/16	5	4	101

1639 LIFE LINE TURNBUCKLES 欄杆伸縮器

Material: S. S

SIZE		Wire		Length Opened		Length Closed	
inch	mm	inch	mm	inch	mm	inch	mm
3/8	10	3/16	5	6 3/4	170	5 1/4	134

1631 DRAWER HANDLE 抽屜手把

Material: S. S

SIZE: 3 1/2" x 5/16"
(88mm x 8mm)



7603B



7603B TURNBUCKLES 伸縮器

*Material: Toggle & Pin- S. S.
Middle Tube- Chromed Bronze*

SIZE		Wire		Body Size		Length Extended		Length Closed		Pin Size		Tensile Strength
inch	mm	inch	mm	inch	mm	inch	mm	inch	mm	inch	mm	
3/8 x 3/16	10 x 5	3/16	5	3/8	10	13 1/2	342	10 3/4	272	3/8	10	6600 lbs
1/2 x 1/4	13 x 6	1/4	6	1/2	13	16 9/16	420	13 3/16	335	1/2	13	12200 lbs
5/8 x 5/16	16 x 8	5/16	8	5/8	16	19 1/2	495	15 1/4	388	5/8	16	16600 lbs
3/4 x 3/8	19 x 10	3/8	10	3/4	19	27 1/4	692	19 1/16	484	3/4	19	21000 lbs

7603C



7603C TURNBUCKLES 伸縮器

*Material: Toggle & Pin- S. S.
Middle Tube- Chromed Bronze*

SIZE		Body Size		Wire		Length Extended		Length Closed		Pin Diam		Tensile Strength
inch	mm	inch	mm	inch	mm	inch	mm	inch	mm	inch	mm	
3/8	10	3/8	10	3/16	5	12	303	9	229	3/8	10	6600 lbs
1/2	13	1/2	13	1/4	6	15 1/16	382	11 5/16	289	1/2	13	12200 lbs
5/8	16	5/8	16	5/16	8	17 3/4	451	13 3/4	351	5/8	16	16600 lbs
3/4	19	3/4	19	3/8	10	21 5/8	550	16 1/2	420	3/4	19	21000 lbs

1. Please send us your drawing or sample with specification, we will do the best for you.
2. Its quality, as well as its possibilities, will exceed your expectations, and be guaranteed.



24-2



24-2 ELECTRONIC DOME LIGHT

電子照明燈

Material: Alum

SIZE : 7" ϕ \times 2"

WITH AC 110V & DC 12V

2601C FLUSH LIFT RING

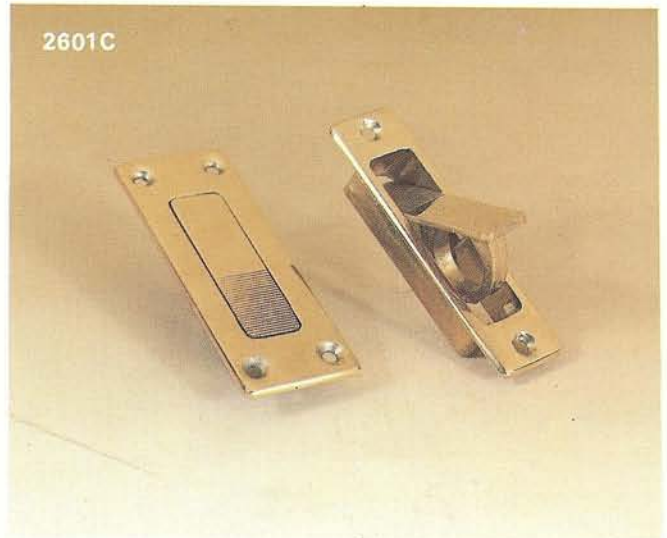
銅地板鈎

Material : Bronze & Chromed Bronze

SIZE : 1" \times 3 $\frac{1}{2}$ " (25mm \times 89mm)

1 $\frac{3}{8}$ " \times 3 $\frac{3}{4}$ " (35mm \times 95mm)

2601C



5609



5609 SEA WATER STRAINER

主機濾水器

Material : Plastic

SIZE : $\frac{3}{4}$ " \times 7 $\frac{1}{4}$ " (19mm \times 185mm)

1" \times 7 $\frac{1}{4}$ " (25mm \times 185mm)

1 $\frac{1}{2}$ " \times 9" (38mm \times 229mm)

2" \times 12" (51mm \times 305mm)



大鹿機械股份有限公司
GRAND DEER MACHINERY & HARDWARE CO., LTD.

高雄市前鎮區實業路69號

No, 69 Shih Yeh Road, Kaohsiung, Taiwan, R. O. C.

Tel: (07)8113161, 8113162

Telex: 72133 SENKOH