

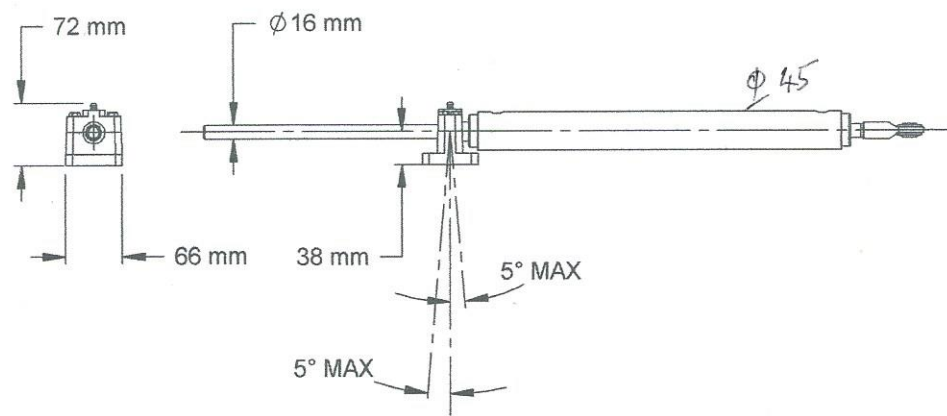
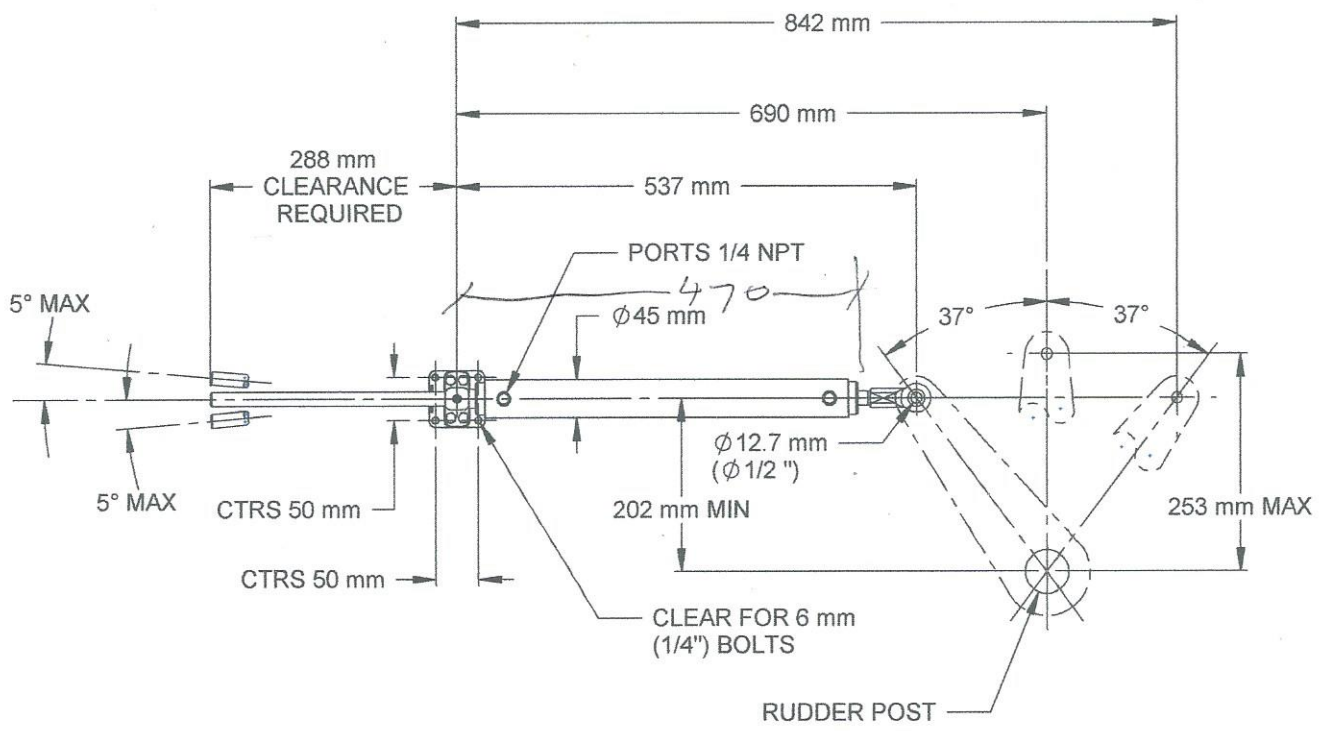
Stroke = 842 - 537 = 305 12"
 1/2 stroke = 152.5

842
 537

 305

842 → 930
 520

~~stroke = 253 mm (10")~~



537
 + 288

 825
 690

 135

rod length = 825

OCTOPUS OCTOPUS PRECISION PRODUCTS INC.
 AUTOPILOT DRIVE SYSTEMS
 7733 PROGRESS WAY, DELTA, BC V4G 1A3
 CANADA

TITLE MOUNTING DIMENSIONS & GEOMETRY FOR
 Ø38 mm BORE LINEAR DRIVE MODELS LAM & LAR

A DIVISION OF CANADA METAL (PACIFIC) LTD.

PID #	REVISION	PAGE	DRAWN	DATE DD/MM/YYYY	SCALE
OCTAF1212LAM12 OCTAF1212LAR12	NEW	N/A	LAURENTIU BUCUROIU	06/AUG/2002	1:8