

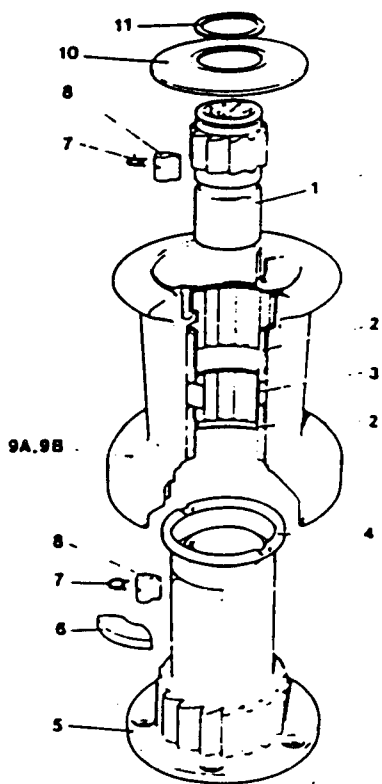
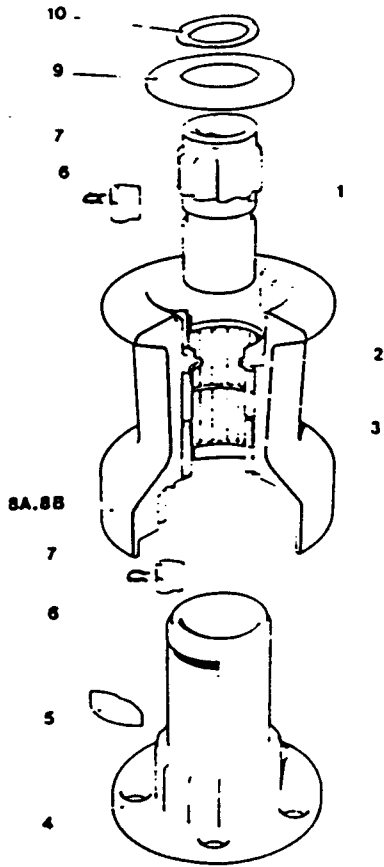
No. 6 Single Speed Winch			
Item No.	Part No.	Description	No. Off
1	B.2075	Circlip	1
2	18000048	Top Cap	1
3	12607	Pawl Spring	4
4	12608	Pawl	4
5	15000148	Spindle	1
6A	15006102	Drum - Bronze	1
6B	15006202	Drum - Alloy	1
7	15006004	Washer	1
8	15006005	Key	1
9	15000144	Centre Stem	1

No. 7 Single Speed Winch			
Item No.	Part No.	Description	No. Off
1	B.2075	Circlip	1
2	18000049	Top Cap	1
3	12607	Pawl Spring	4
4	12608	Pawl	4
5	15000148	Spindle	1
6A	15008102	Drum - Bronze	1
6B	15008202	Drum - Alloy	1
7	15006004	Washer	1
8	15010005	Key	1
9	15000143	Centre Stem	1

No. 6a Bottom Action Winch			
Schedule as above except:-			
Item No.	Part No.	Description	No. Off
5	15000146	Spindle	1
9	15000179	Centre Stem	1
10	15006007	Handle	1
11	15006008	Base	1
12	15006010	Plug	1

No. 7a Bottom Action Winch			
Schedule as above except:-			
Item No.	Part No.	Description	No. Off
5	15000147	Spindle	1
9	15000143	Centre Stem	1
10	15006007	Handle	1
11	15007008	Base	1
12	15006010	Plug	1

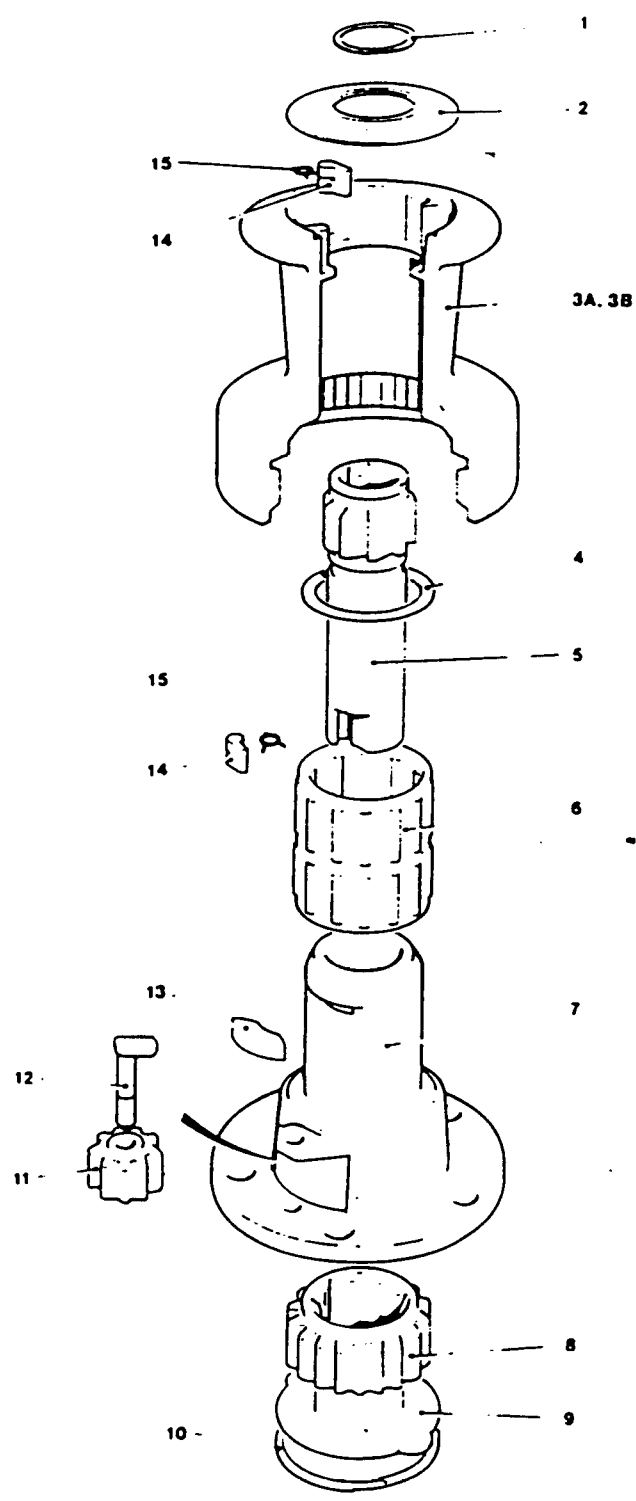
Nos. 8/10



No. 8 Single Speed Winch			
Item No.	Part No.	Description	No. Off
1	15008003	Spindle	1
2	15008004	Drum Washer	1
3	15008007	Roller Bearing	2
4	15008001	Centre Stem	1
5	15008005	Key	1
6	12607	Pawl Spring	4
7	12608	Pawl	4
8A	15008102	Drum - Bronze	1
8B	15008202	Drum - Alloy	1
9	18000050	Top Cap	1
10	B.2075	Circlip	1

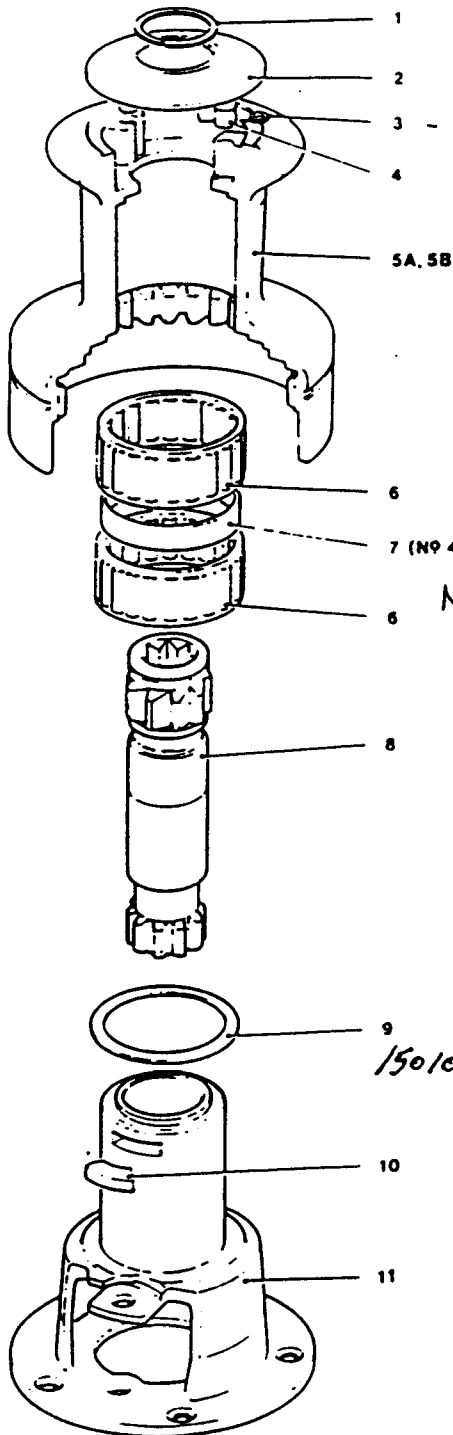
No. 10 Single Speed Winch			
Item No.	Part No.	Description	No. Off
1	15008003	Spindle	1
2	15010007	Roller Bearing	2
3	15010008	Spacer	1
4	15010004	Drum Washer	1
5	15000227	Centre Stem	1
6	15010005	Key	1
7	12607	Pawl Spring	4
8	12608	Pawl	4
9A	15010102	Drum - Bronze	1
9B	15010202	Drum - Alloy	1
10	18000053	Top Cap	1
11	B.2075	Circlip	1

No. 16



No. 16 2 Speed Winch			
Item No.	Part No.	Description	No. Off
1	B.2075	Circlip	1
2	18000051	Top Cap	1
3A	15016102	Drum - Bronze	1
3B	15016202	Drum - Alloy	1
4	15008004	Drum Washer	1
5	15000336	Spindle Assembly	1
6	15008007	Roller Bearing	2
7	15000115	Centre Stem	1
8	15000098	Ratchet Gear	1
9	15016007	Retaining Plate	1
10	B.2085	Circlip	1
11	15000099	Idler Gear	1
12	15000128	Idler Spindle	1
13	15008005	Key	1
14	1260/8	Pawl	4
15	1260/7	Pawl Spring	4

Nos. 24/30/40



No. 24 Winch

Item No.	Part No.	Description	No. Off
1	B.2075	Circlip	1
2	18000052	Top Cap	1
3	1260/8	Pawl	4
4	1260/7	Pawl Spring	4
5A	15000118	Drum - Bronze	1
5B	15000122	Drum - Alloy	1
6	15008007	Roller Bearing	2
8	18000005	Spindle Assembly	1
9	15008004	Drum Washer	1
10	15008005	Key	1
11	15000116	Centre Stem	1
12	15000120	Pawl Gear	1
13	15030005	Ratchet Gear	1
14	15000129	Gear Spindle	1

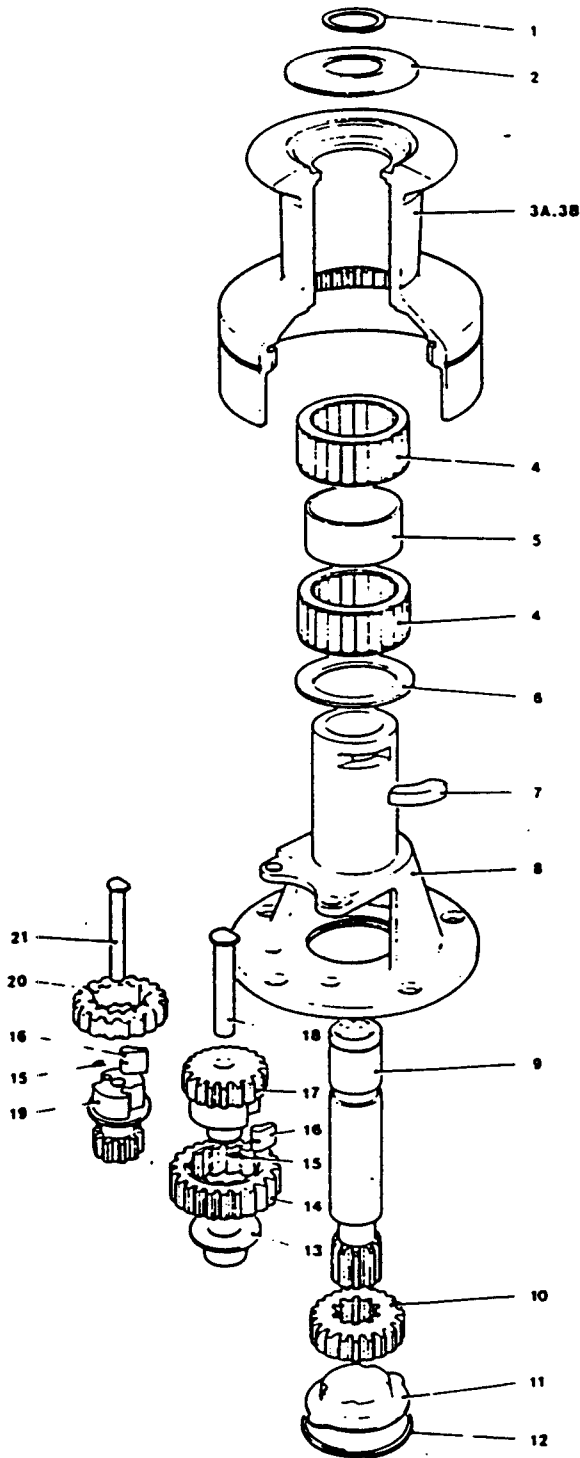
No. 30 Winch

Item No.	Part No.	Description	No. Off
1	B.2075	Circlip	1
2	18000054	Top Cap	1
3	1260/7	Pawl Spring	4
4	1260/8	Pawl	4
5A	15030102	Drum - Bronze	1
5B	15030202	Drum - Alloy	1
6	15008007	Roller Bearing	2
8	18030003	Spindle Assembly	1
9	15030007	Drum Washer	1
10	15008005	Key	1
11	15000126	Centre Stem	1
12	15030006	Pawl Gear	1
13	15030005	Ratchet Gear	1
14	15000129	Gear Spindle	1

No. 40 Winch - 2 Speed

Item No.	Part No.	Description	No. Off
1	B.2075	Circlip	1
2	18000055	Top Cap	1
3	1260/7	Pawl Spring	4
4	1260/8	Pawl	4
5A	15000002	Drum - Bronze	1
5B	15000003	Drum - Alloy	1
6	15010007	Roller Bearing	2
7	15010008	Spacer	1
8	18040001	Spindle Assembly	1
9	15034638	Drum Washer	1
10	15010005	Key	1
11	15000174	Centre Stem	1
12	15000106	Pawl Gear	1
13	15000107	Ratchet Gear	1
14	15000129	Gear Spindle	1

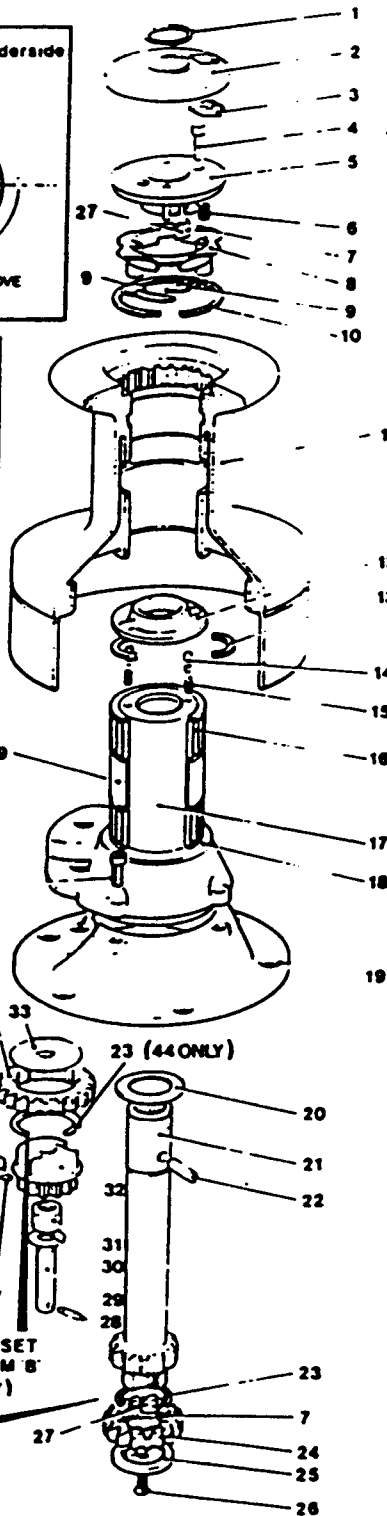
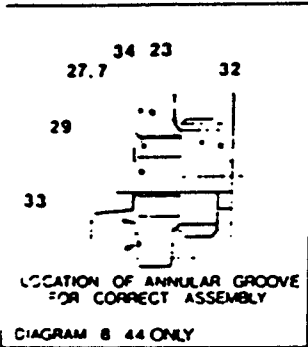
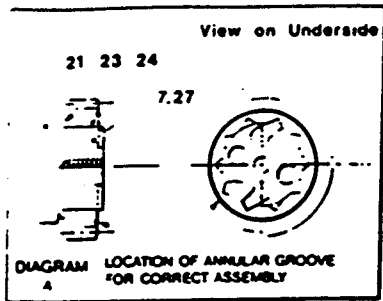
No. 42



No. 42 2 Speed Winch

Item No.	Part No.	Description	No. Off
1	B.2075	Circlip	1
2	18000056 1501001B	Top Cap	1
3A	15042102	Drum - Bronze	1
3B	15042202	Drum - Alloy	1
4	15010007	Roller Bearing	2
5	15042012	Spacer	1
6	15042010	Drum Washer	1
7	15010005	Key	1
8	15042001	Centre Stem	1
9	15042003	Spindle	1
10	15042009	Ratchet Gear	1
11	15016007	Retaining Plate	1
12	B.2085	Circlip	1
13	15042011	Flanged Bush	1
14	15042006	Ratchet Gear	1
15	12607	Pawl Spring	4
16	12608	Pawl	4
17	15042007	Pawl Gear	1
18	15042004	Gear Spindle	1
19	15042008	Pawl Gear	1
20	15030005	Ratchet Gear	1
21	15042005	Gear Spindle	1

Nos. 44/48



SEE INSET DIAGRAM B (44 ONLY)
SEE INSET DIAGRAM A

No. 44 Push Button 3 Speed Winch

Item No.	Part No.	Description	No. Off
1	B.2075	Circlip	1
2	15044117	Top Cap Cover	1
3	15044114	Push Button	1
4	15044111	Plunger	1
5	15044104	Top Cap Assembly	1
6	15044112	Spring	1
7	12607	Pawl Spring	8
8	15044106	Closing Ring	1
9	15044115	Spring - Anchor Pin	2
	15044113	Spring	
10	B.2083	Circlip	1
11A	15044102	Drum - Bronze	1
11B	15044202	Drum - Alloy	1
11C	15044302	Drum - St. Steel	1
12	15044105	Clutch Plate	15000910
13	15044118	Collet	2
14	15137203	Plunger	2
15	15137204	Spring	2
16	15044121	Roller Bearing	2
17	15000008	Centre Stem - Upper	1
18	15044116	Drum - Washer	1
19	15000009	Centre Stem - Lower	1
21	15044103	Spindle	1
22	15044119	Drive Pin	1
23	15025107	Spacer	2
24	15025105	Ratchet Gear	1
25	15016107	Spindle End Cap	1
26	B.0515	C'sk. Screw - 1/4" UNC x 1/2" Long	1
27	12608	Pawl	8
28	B.1516	Spiral Pin	2
29	15000010	Gear Spindle	1
32	15025105	Pawl Gear	1
33	15025106	Washer	2
34	15041105	Ratchet Gear	1
36	15000011	Gear Spindle	1
37	15044107	Pawl Gear	1
38	B.0719	Std. Hd. Cap Screw - 1/4" UNC x 1/2" Long	4
39	15065115	Spacer (44 Winch only)	1
40	15016105	Ratchet Gear	1

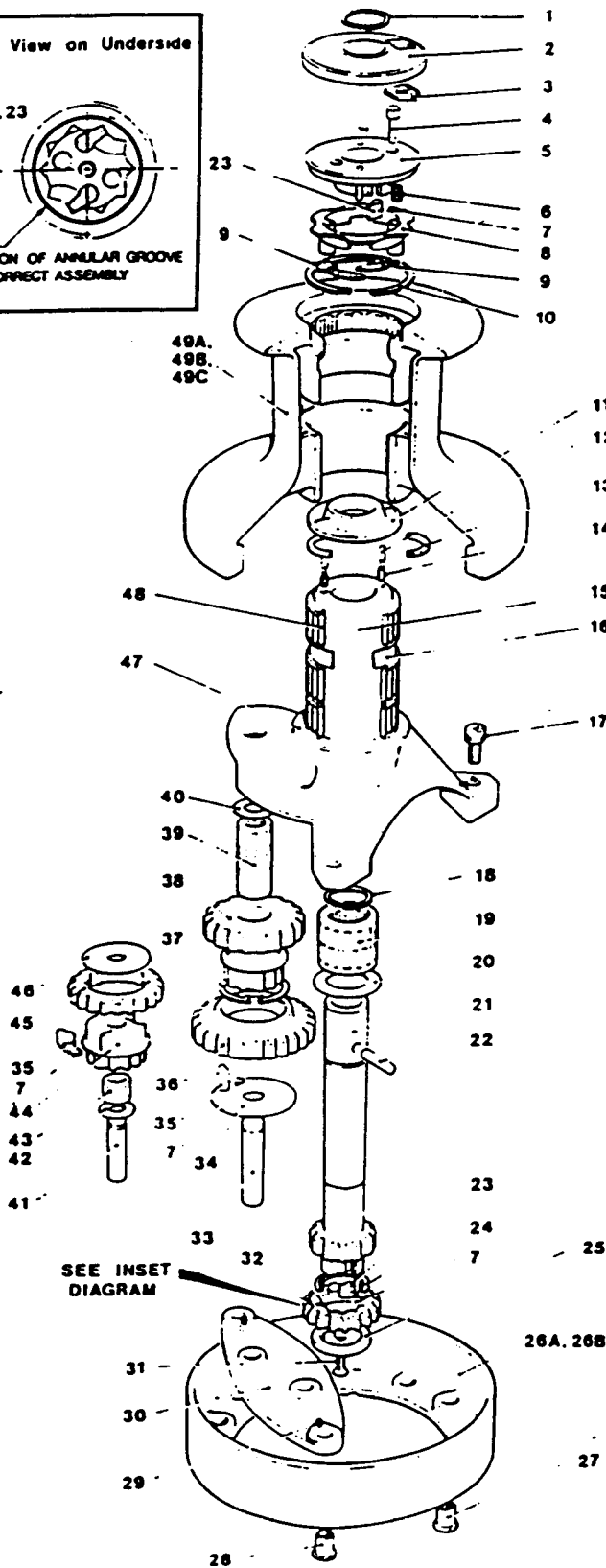
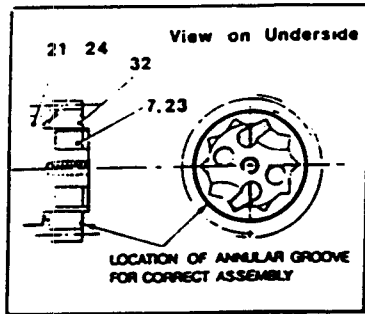
15080100

1506105

No. 48 Push Button 3 Speed Winch

Item No.	Part No.	Description	No. Off
1	B.2075	Circlip	1
2	15048106	Top Cap Cover	1
3-10	As 44 Schedule		
11A	15048102	Drum - Bronze	1
11B	15048202	Drum - Alloy	1
11C	15048302	Drum - St. Steel	1
12-15	As 44 Schedule		
16	15044121	Roller Bearing	3
17	15000013	Centre Stem - Upper	1
18	15044116	Drum - Washer	1
19	15000014	Centre Stem - Lower	1
20	1300/21	Washer	1
21	15048103	Spindle	1
22	15044119	Drive Pin	1
23	15025107	Spacer	1
24	15048104	Ratchet Gear	1
25	15016107	Spindle End Cap	1
26	B.0515	C'sk. Screw - 1/4" UNC x 1/2" Long	1
27	12608	Pawl	4
28	B.1516	Spiral Pin	2
29	15000016	Gear Spindle	1
30	1300/22	Washer	2
31	1300/SA2	Roller Bearing	3
32	1300/8	Pawl Gear	1
33	1264/7	Washer	2
34	1300/7	Ratchet Gear	1
35	1264/8	Pawl	4
36	15000015	Gear Spindle	1
37	1300/6	Pawl Gear	1
38	B.0719	Std. Hd. Cap Screw - 1/4" UNC x 1/2" Long	4
40	1300/5	Ratchet Gear	1

No. 55

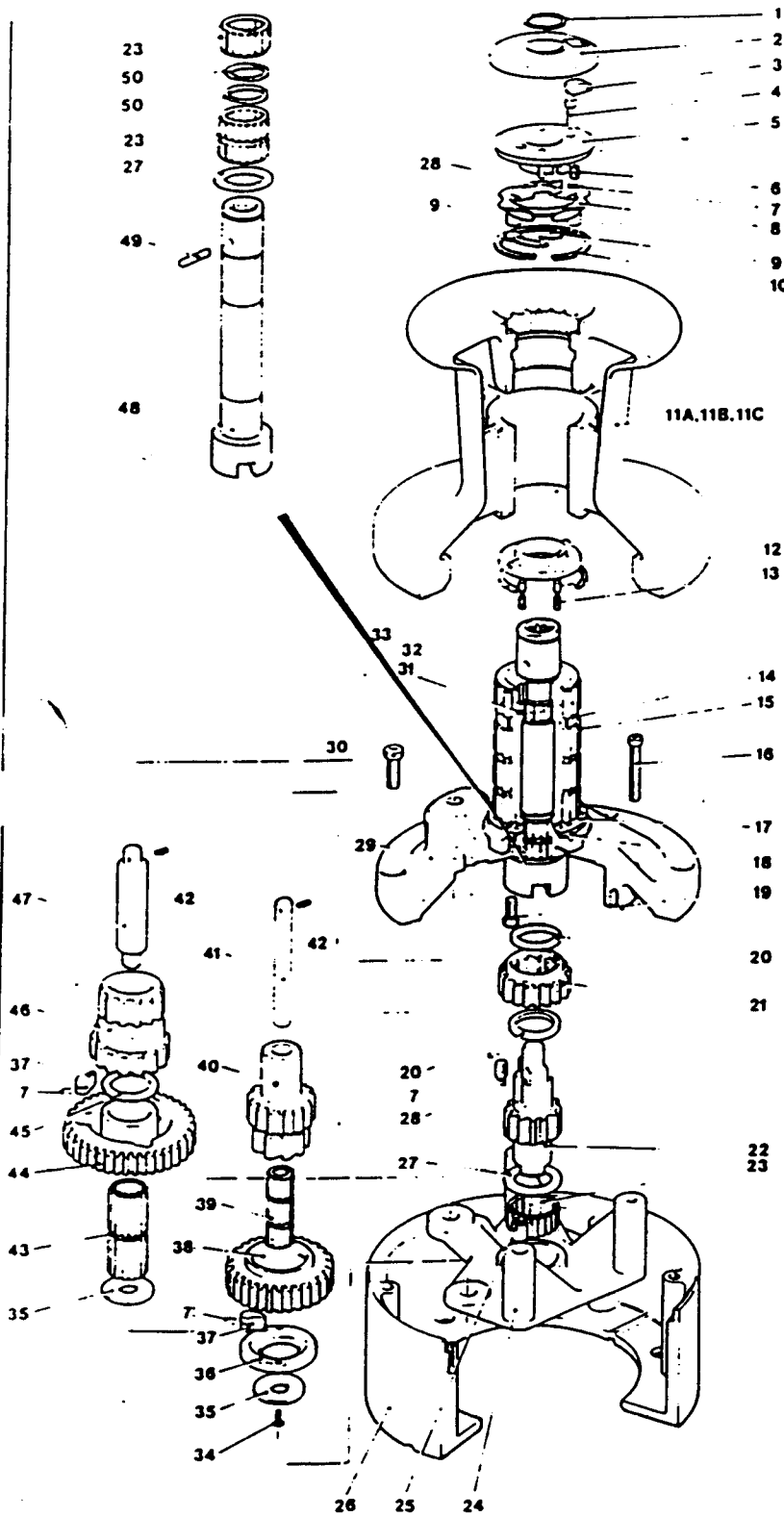


No. 55 3 Speed Winch

Item No.	Part No.	Description	No. Off
1	B.2075	Circlip	1
2	15055106	Top Cap Cover	1
3	15044114	Push Button	1
4	15044111	Plunger	1
5	15044104	Top Cap Assembly	1
6	15044112	Spring	1
7	1260/7	Pawl Spring	8
8	15044106	Closing Ring	1
9	15044113	Spring	2
	15044115	Spring - Anchor Pin	2
10	B.2083	Circlip	1
11	15044105	Clutch Plate	1
12	15137203	Plunger	2
13	15044118	Collet	2
14	15137204	Spring	2
15	15055101	Centre Stem	1
16	15048105	Spacer	1
17	B.0714	Stk. Hd. Cap Screw - 1/4" UNC x 3/4" Long	3
18	B.2079	Circlip	1
19	1264/SA2	Roller Bearing	1
20	1300/21	Washer	1
21	15055103	Spindle	1
22	15044119	Drive Pin	1
23	1260/8	Pawl	4
24	15025107	Spacer	1
25	15016107	Spindle End Cap	1
26A	15055104	Base - Bronze	1
26B	15055204	Base - Alloy	1
27	1301/22	Dowel	1
28	1301/17	Dowel	2
29	B.1506	Spiral Pin	2
30	15055105	Bridge Piece	1
31	B.0515	C'sk Screw - 1/4" UNC x 1/2" Long	1
32	15048104	Ratchet Gear	1
33	1301/10	Gear Spindle	1
34	1301/11	Washer	1
35	1264/8	Pawl	4
36	1301/7	Pawl Gear	1
37	B.2077	Circlip	1
38	1301/6	Ratchet Gear	1
39	1301/SA2	Roller Bearing	3
40	1301/19	Washer	1
41	1264/6	Gear Spindle	1
42	1300/22	Washer	1
43	1300/SA2	Roller Bearing	1
44	1300/8	Pawl Gear	1
45	1300/7	Ratchet Gear	1
46	15055119	Washer	1
47	15044116	Drum Washer	1
48	15044121	Roller Bearing	3
49A	15055102	Drum - Bronze	1
49B	15055202	Drum - Alloy	1
49C	15055302	Drum - St. Steel	1

No. 65

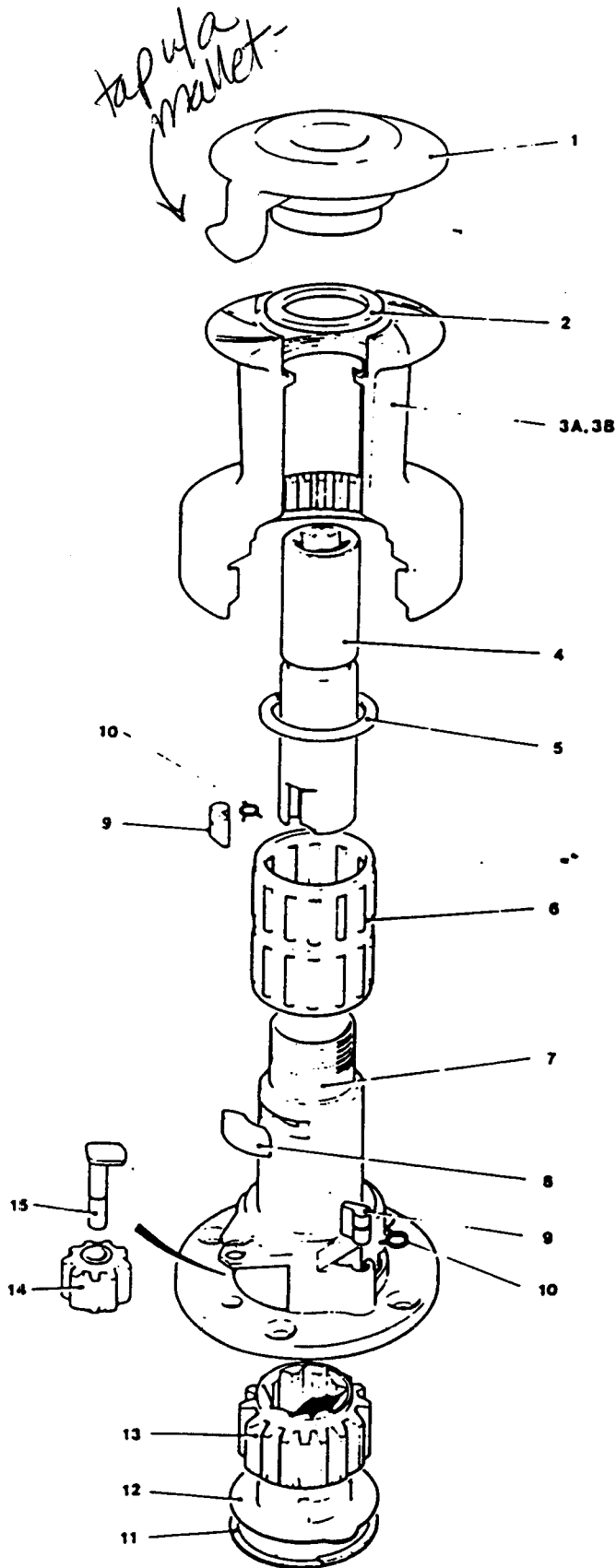
VOL. III HIGH BASE



No. 65 3 Speed Winch

Item No.	Part No.	Description	No. Off
1	B.2075	Circlip	1
2	15065106	Top Cap Cover	1
3	15044114	Push Button	1
4	15044111	Plunger	1
5	15044104	Top Cap Assembly	1
6	15044112	Spring	1
7	12607	Pawl Spring	9
8	15044106	Closing Ring	1
9	15044113	Spring	2
	15044115	Spring - Anchor Pin	2
10	B.2083	Circlip	1
11A	15000206	Drum - Bronze	1
11B	15000207	Drum - Alloy	1
11C	15000208	Drum - St. Steel	1
12	15137203	Plunger	2
13	15137204	Spring	2
14	15065115	Spacer	1
15	15044121	Roller Bearing	4
16	B.0698	Skt. Hd. Cap Screw - $\frac{1}{4}$ " UNC x $1\frac{1}{2}$ " Long	3
17	18080015	Thrust Bearing	1
18	15000082	Drum Washer	1
19	B.0730	Skt. Hd. Cap Screw - $\frac{1}{4}$ " UNC x $\frac{3}{8}$ " Long	8
20	15000303	Spacer	2
21	15000242	Ratchet Gear	1
22	15000241	Spindle Extension	1
23	15000019	Roller Bearing	4
24	15000048	Bridge Piece	1
	15000053	Bridge Piece Sleeve	1
25	15065111	Hollow Dowel	2
26	15000197	Base	1
27	15000024	Washer	2
28	12608	Pawl	4
29	15000049	Centre Stem - Lower	1
30	B.0714	Skt. Hd. Cap Screw - $\frac{3}{8}$ " UNC x $\frac{3}{4}$ " Long	6
31	15000195	Centre Stem - Upper	1
32	15044118	Collet	2
33	15044105	Clutch Plate	1
34	B.0511	Csk. Screw - 2BA x $\frac{3}{4}$ " Long	2
35	15000247	Washer	2
36	15000023	Retainer	1
37	12648	Pawl	5
38	15000040	Pawl Gear	1
39	15000017	Roller Bearing	3
40	15000245	Idler Gear	1
41	15000240	Gear Spindle	1
42	B.1501	Spirol Pin	2
43	15000018	Roller Bearing	2
44	15000244	Pawl Gear	1
45	15000246	Washer	1
46	15000243	Ratchet Gear	1
47	15000239	Gear Spindle	1
48	15000198	Spindle	1
49	15044119	Drive Pin	1
50	B.2086	Circlip	2

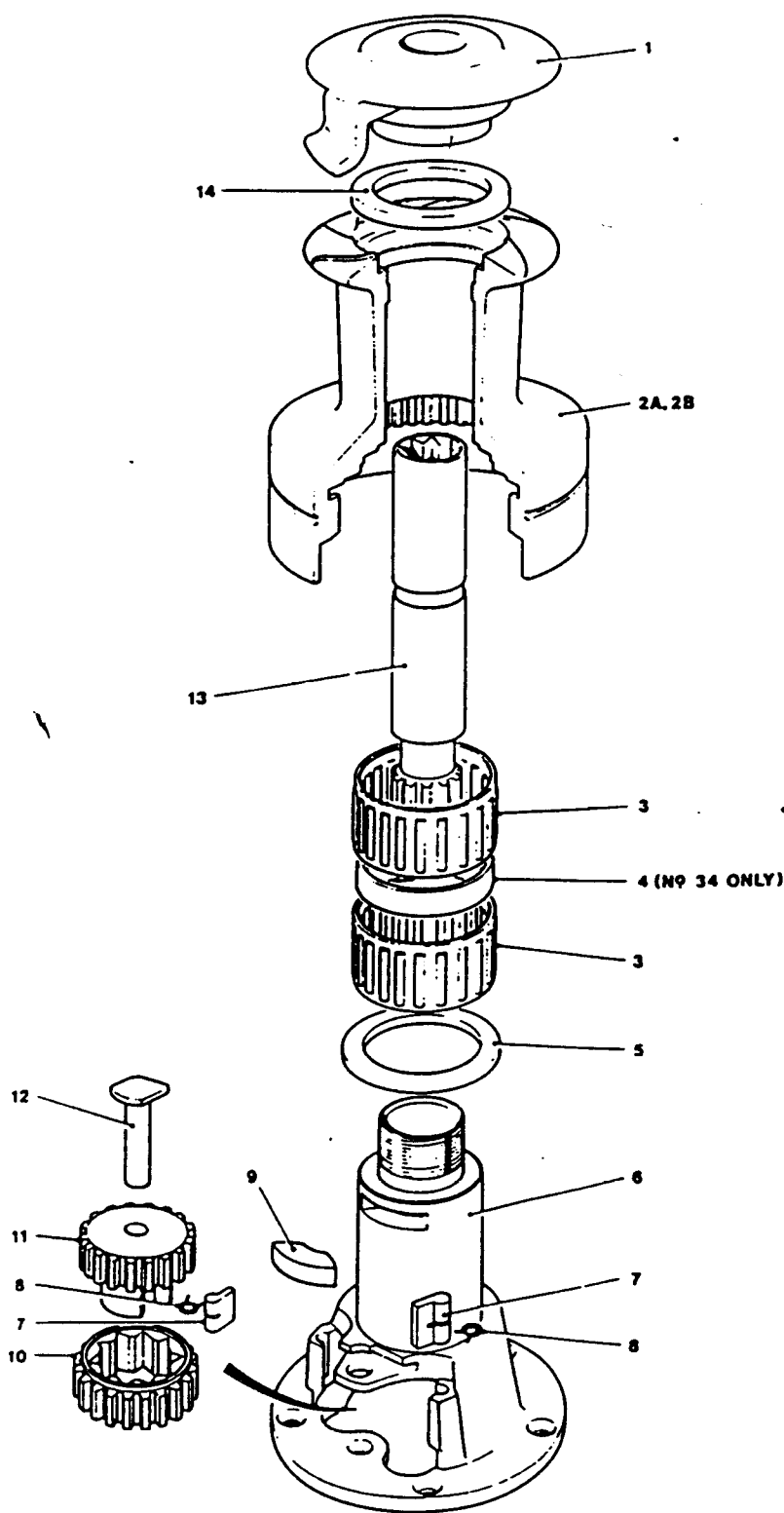
No. 16ST



NLA

No. 16 Self Tailing Winch			
Item No.	Part No.	Description	No. Off
1	15016604	Stripper Nut/Top Cap	1
	B 2404	Helicoil Insert	1
2	15016010	Washer <i>RED</i>	1
3A	15016402	Drum - Bronze	1
3B	15016502	Drum - Alloy	1
4	15016603	Spindle	1
5	15008004	Washer	1
6	15008007	Roller Bearing	2
7	15000189	Centre Stem	1
8	15008005	Key	1
9	1260/8	Pawl	4
10	1260/7	Pawl Spring	4
11	B 2085	Circlip	1
12	15016007	Retaining Plate	1
13	15000098	Ratchet Gear	1
14	15000099	Idler Gear	1
15	15000128	Idler Spindle	1

Nos. 30ST/34ST



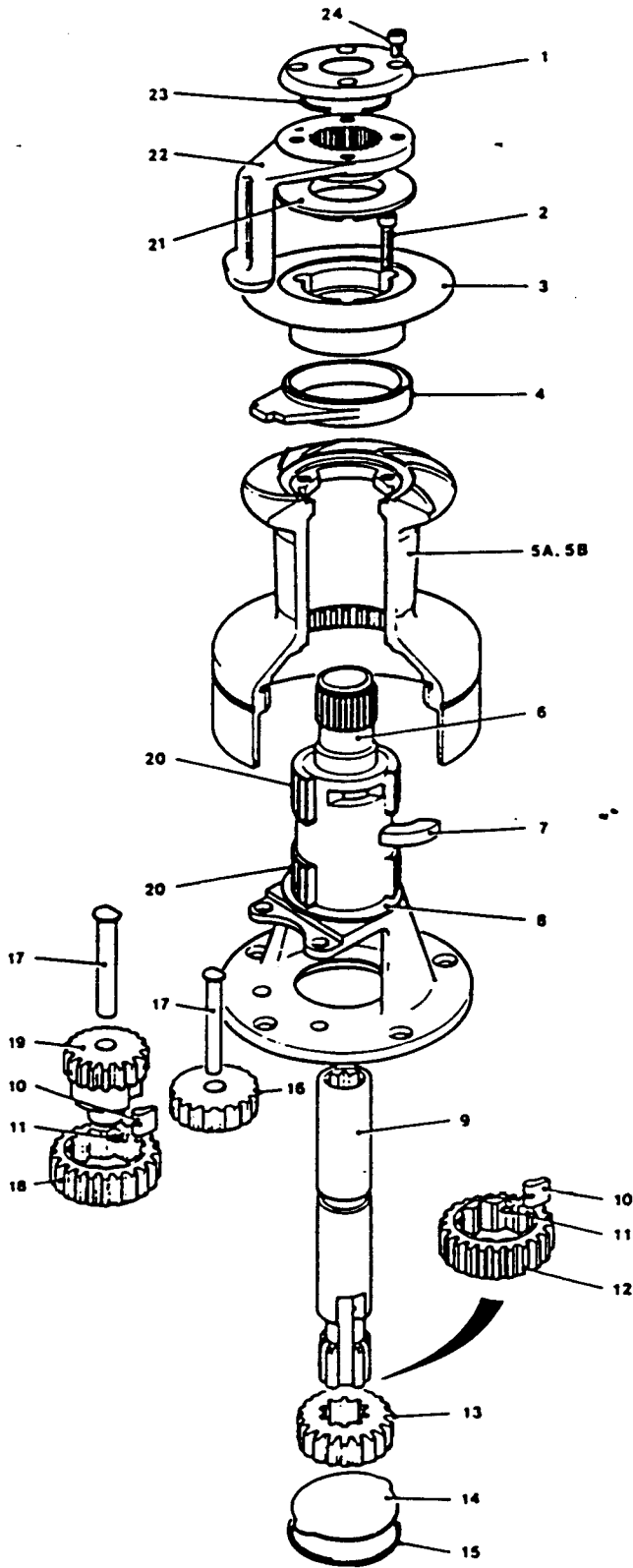
No. 30 Self Tailing Winch

Item No.	Part No.	Description	No. Off
1	15030604	Stripper Nut/Top Cap	1
2A	15030402	Drum - Bronze	1
2B	15030502	Drum - Alloy	1
3	15008007	Roller Bearing	2
5	15030007	Drum Washer	1
6	15000190	Centre Stem	1
7	1260/8	Pawl	4
8	1260/7	Pawl Spring	4
9	15008005	Key	1
10	15030005	Ratchet Gear	1
11	15030006	Pawl Gear	1
12	15000129	Gear Spindle	1
13	15030603	Spindle	1
14	15030607	Washer <i>(LED)</i>	1

No. 34 Self Tailing Winch

Item No.	Part No.	Description	No. Off
1	15034634	Stripper Nut/Top Cap	1
2A	15034432	Drum - Bronze	1
2B	15034532	Drum - Alloy	1
3	15010007	Roller Bearing	2
4	15010008	Spacer	1
5	15034638	Drum Washer	1
6	15000180	Centre Stem	1
7	1260/8	Pawl	4
8	1260/7	Pawl Spring	4
9	15010005	Key	1
10	15034635	Ratchet Gear	1
11	15034636	Pawl Gear	1
12	15000129	Gear Spindle	1
13	15034633	Spindle	1
14	15034637	Washer	1

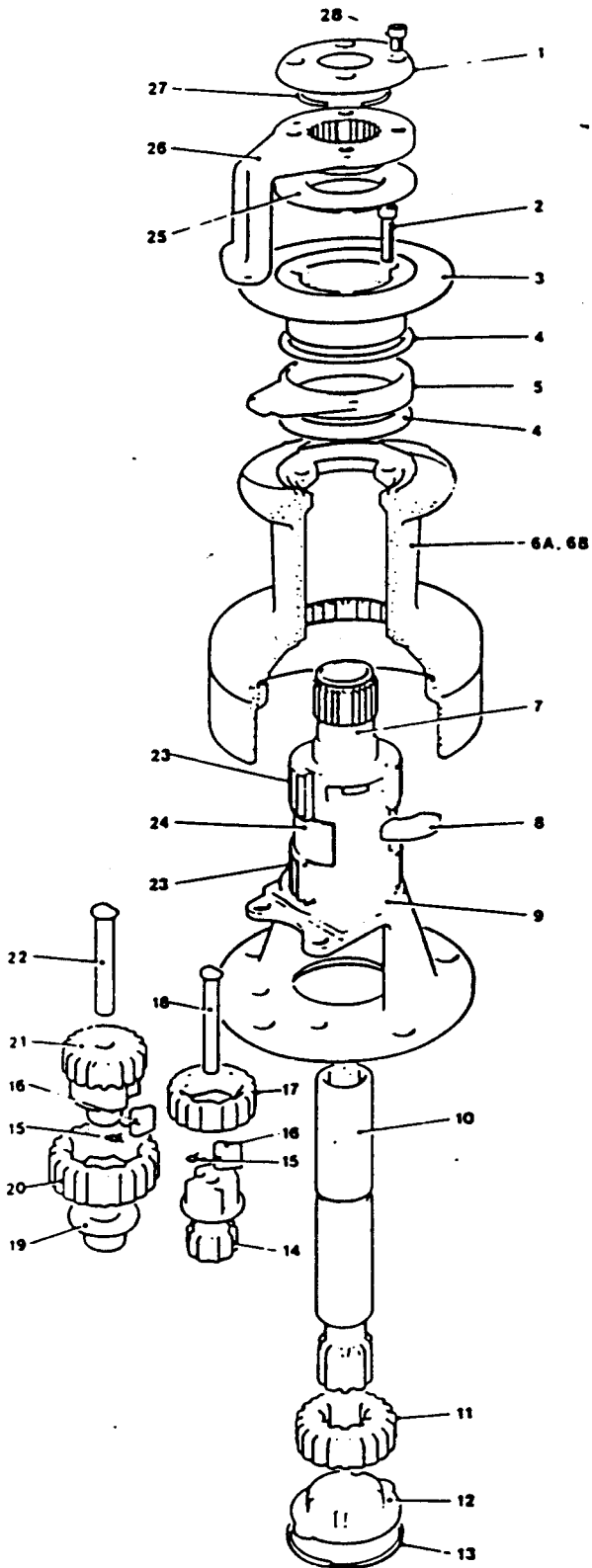
No. 40ST



No. 40 Self Tailing Winch

Item No.	Part No.	Description	No. Off
1	15000138	Top Cap	1
2	B 0709	Skt. Hd. Cap Screw - 1/4" UNC x 3/4" Long	3
3	15000124	Upper Crown Plate	<i>N/A</i>
4	15000137	Stripper Ring	1
5A	15000226	Drum - Bronze	1
5B	15000123	Drum - Alloy	1
6	15000117	Centre Stem	1
7	15010005	Key	1
8	15000175	Drum Washer	1
9	18000008	Spindle Assy.	<i>N/A</i>
10	1260/8	Pawl	4
11	1260/7	Pawl Spring	4
12	15000125	Ratchet Gear	1
13	15000136	Splined Gear	1
14	15000142	Retaining Plate	1
15	B 2085	Circlip	1
16	15000127	Idler Gear	1
17	15000141	Gear Spindle	2
18	15000135	Ratchet Gear	1
19	15000130	Pawl Gear	1
20	15010007	Roller Bearing	2
21	15000140	Flanged Bush	1
22	15000134	Stripper Arm	<i>N/A</i>
23	15042608	Split Collet	<i>N/A</i>
24	B 0733	Skt. Hd. Cap Screw - 1/4" UNC x 3/4" Long	4

O. 42ST



No. 42. Self Tailing Winch

Item No.	Part No.	Description	No. Off
1	15042607	Top Cap	1
2	B 0721	Skt. Hd. Cap Screw - 1/4" UNC x 1" Long	3
3	15042604	Upper Crown Plate	1
4	15042641	Stripper Ring Insert	2
5	15042606	Stripper Ring	1
6A	15042402	Drum - Bronze	1
6B	15042502	Drum - Alloy	1
7	15042601	Centre Stem	1
8	15010005	Key	1
9	15042010	Drum Washer	1
10	15042603	Spindle	1
11	15042009	Gear	1
12	15016007	Retaining Plate	1
13	B 2085	Circlip	1
14	15042008	Pawl Gear	1
15	1260/7	Pawl Spring	4
16	1260/8	Pawl	4
17	15030005	Ratchet Gear	1
18	15042005	Gear Spindle	1
19	15042011	Retaining Bush	1
20	15042006	Ratchet Gear	1
21	15042007	Pawl Gear	1
22	15042004	Gear Spindle	1
23	15010007	Roller Bearing	2
24	15042012	Spacer	1
25	15042609	Flanged Bush	1
26	15042605	Stripper Arm	1
27	15042608	Collet	2
28	B 0733	Skt. Hd. Cap Screw - 1/4" UNC x 3/4" Long	4

N/A

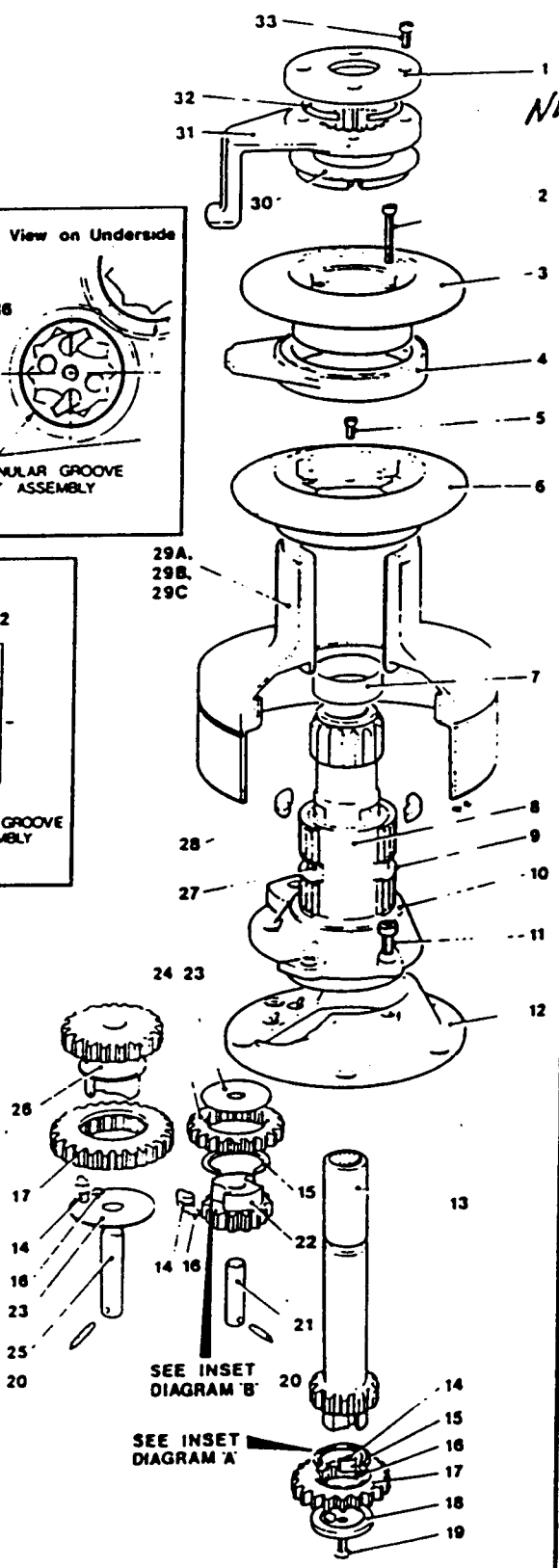
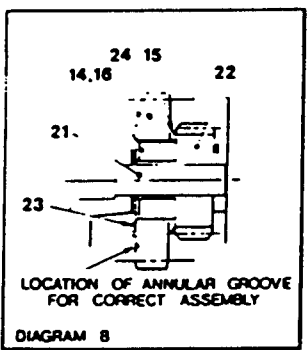
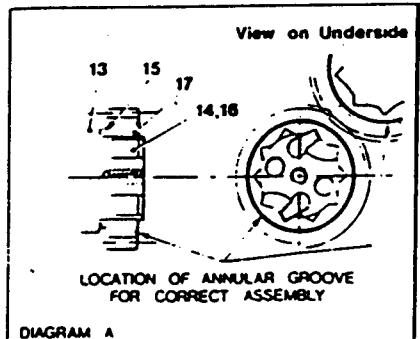
N/A

N/A

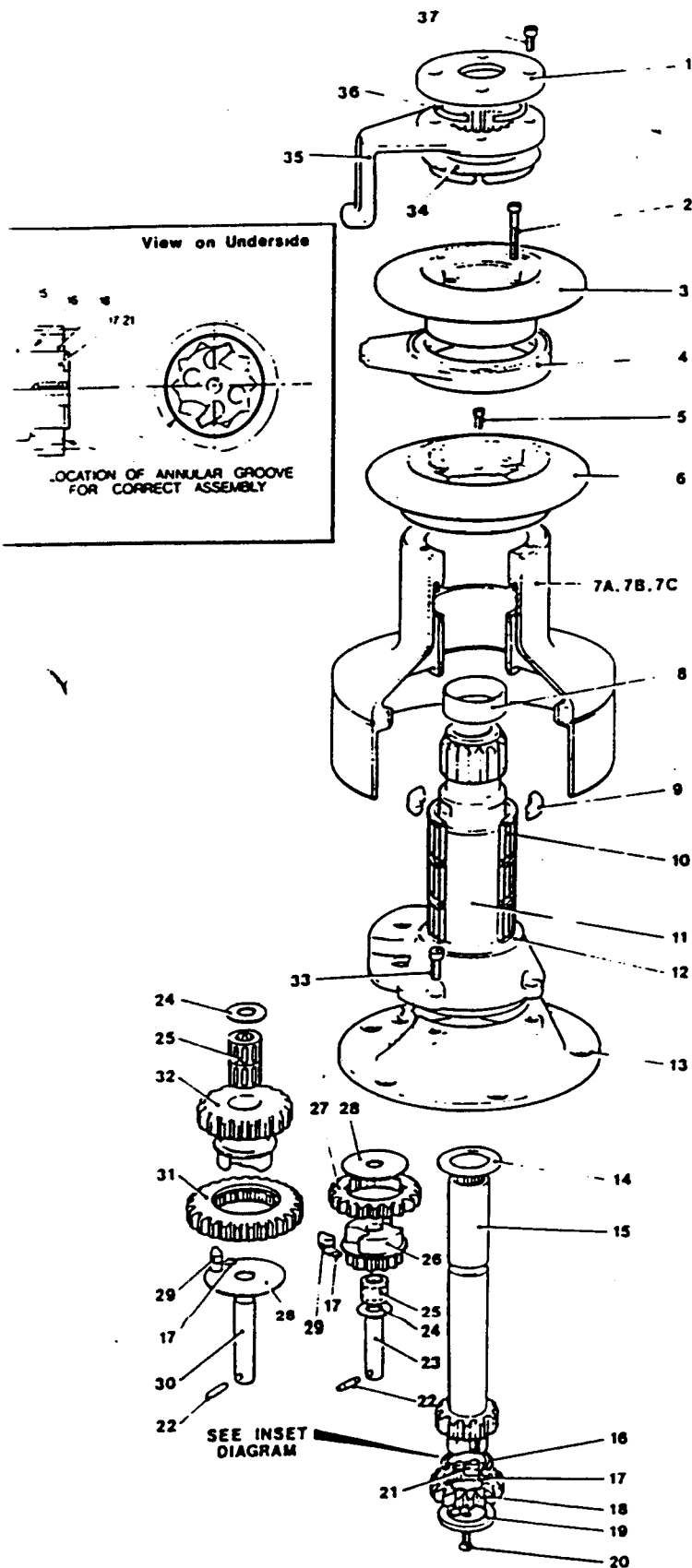
No. 44ST

No. 44 Self Tailing Winch

Item No.	Part No.	Description	No. Off
1	15044639	Top Cap	1
2	B.0729	Skt. Hd. Cap Screw - 1/4" UNC x 1 1/2" Long	3
3	15044644	Upper Crown Plate	1
4	15044649	Stripper Ring	1
	15044641	Stripper Ring Insert	2
5	B.0723	Skt. Hd. Cap Screw - 1/4" UNC x 1/2" Long	3
6	15044635	Lower Crown Plate	1
7	15000308	Collar	1
8	15000007	Centre Stem - Upper	1
9	15044121	Roller Bearing	2
10	15044116	Drum Washer	1
11	B.0719	Skt. Hd. Cap Screw - 1/4" UNC x 1/2" Long	4
12	15000009	Centre Stem - Lower	1
13	15044633	Spindle	1
14	1260/8	Pawl	6
15	15025107	Spacer	2
16	1260/7	Pawl Spring	6
17	15016105	Ratchet Gear	2
18	15016107	Spindle End Cap	1
19	B.0515	C'sk. Screw - 1/4" UNC x 1/2" Long	1
20	B.1516	Spirol Pin	2
21	15000011	Gear Spindle	1
22	15025105	Pawl Gear	1
23	15025106	Washer	2
24	15041105	Ratchet Gear	1
25	15000010	Gear Spindle	1
26	15044107	Output Gear	1
27	15065115	Spacer	1
28	15040605	Key	2
29A	15000074	Drum - Bronze	1
29B	15044502	Drum - Alloy	1
29C	15044602	Drum - St. Steel	1
30	15044627	Flanged Bush	1
31	15044648	Stripper Arm	1
32	15044637	Collet	2
33	B.0733	Skt. Hd. Cap Screw - 1/4" UNC x 3/8" Long	4



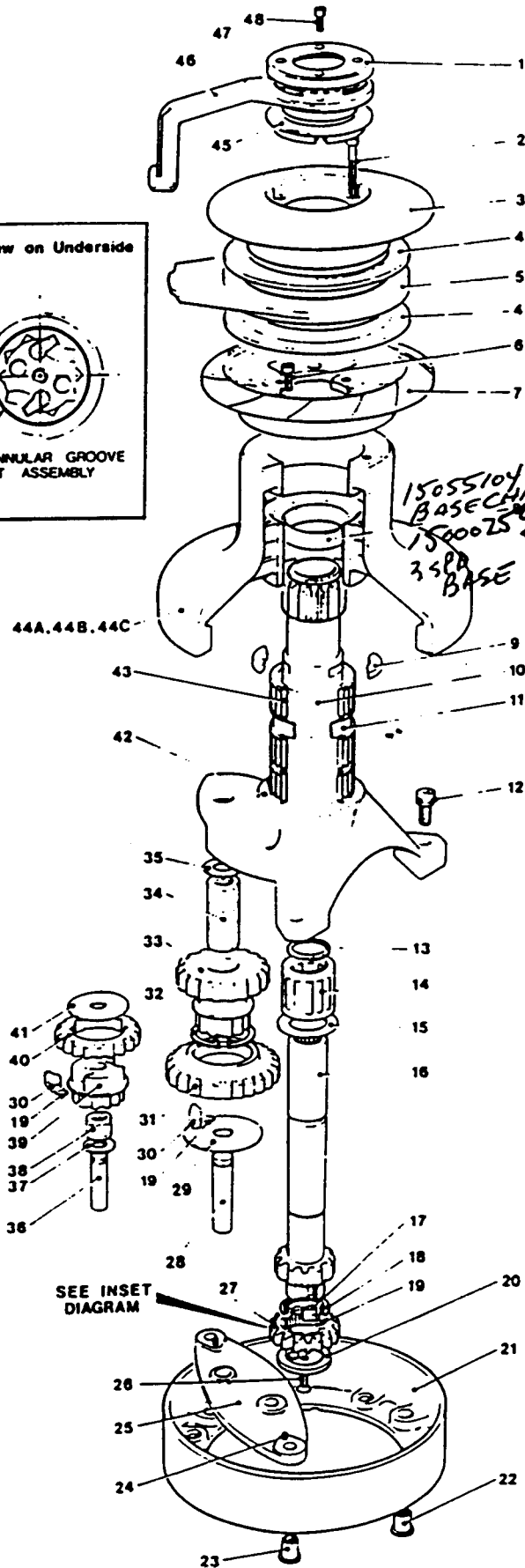
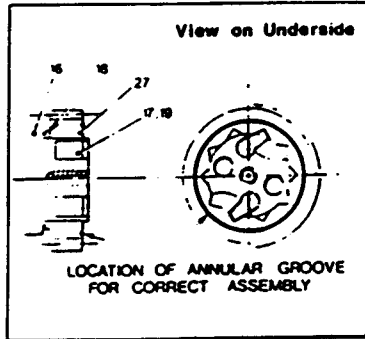
No. 48 ST



No. 48 Self Tailing Winch

Item No.	Part No.	Description	No. Off
1	15044639	Top Cap	1
2	B.0729	Skt. Hd. Cap Screw - 1/4" UNC x 1/2" Long	3
3	15048644	Upper Crown Plate	1
4	15048649	Stripper Ring	1
	15048641	Stripper Ring Insert	2
5	B.0723	Skt. Hd. Cap Screw - 1/4" UNC x 1/2" Long	3
6	15048635	Lower Crown Plate	1
7A	15000097	Drum - Bronze	1
7B	15048502	Drum - Alloy	1
7C	15048602	Drum - St. Steel	1
8	15000308	Collar	1
9	15040605	Key	2
10	15044121	Roller Bearing	3
11	15000012	Centre Stem - Upper	1
12	15044116	Drum - Washer	1
13	15000014	Centre Stem - Lower	1
14	1300/21	Washer	1
15	15048633	Spindle	1
16	15025107	Spacer	1
17	1260/7	Pawl Spring	6
18	15048104	Ratchet Gear	1
19	15016107	Spindle End Cap	1
20	B.0515	C'sk. Screw - 1/4" UNC x 1/2" Long	1
21	1260/8	Pawl	2
22	B.1516	Spirol Pin	2
23	15000016	Gear Spindle	1
24	1300/22	Washer	2
25	1300/SA2	Roller Bearing	3
26	1300/8	Pawl Gear	1
27	1300/7	Ratchet Gear	1
28	1264/7	Washer	2
29	1264/8	Pawl	4
30	15000015	Gear Spindle	1
31	1300/5	Ratchet Gear	1
32	1300/6	Pawl Gear	1
33	B.0719	Skt. Hd. Cap Screw - 1/4" UNC x 3/4" Long	4
34	15044627	Flanged Bush	1
35	15048648	Stripper Arm	1
36	15044637	Split Collet	2
37	B.0733	Skt. Hd. Cap Screw - 1/4" UNC x 3/4" Long	4

No. 55ST



No. 55 Self Tailing Winch

Item No.	Part No.	Description	No. Off
1	15044639	Top Cap	1
2	B 0731	Skt. Hd. Cap Screw - 1/4" UNC x 1 1/4" Long	3
3	15055644	Upper Crown Plate	1
4	15055641	Stripper Ring Insert	2
5	15055649	Stripper Ring	1
6	B 0709	Skt. Hd. Cap Screw - 1/4" UNC x 1/2" Long	3
7	15055645	Lower Crown Plate	1
8	15044638	Collar	1
9	15040605	Key	2
10	15055631	Centre Stem	1
	15055636	Centre Stem Extension	1
	15044614	Pin	1
11	15048105	Spacer	1
12	B 0714	Skt. Hd. Cap Screw - 3/8" UNC x 3/4" Long	3
13	B 2079	Circlip	1
14	1264/SA2	Roller Bearing	1
15	1300/21	Washer	1
16	15055603	Spindle	1
17	1260/8	Pawl	2
18	15025107	Spacer	1
19	1260/7	Pawl Spring	6
20	15016107	Spindle End Cap	1
21	15055204	Base <i>NLA</i>	1
22	1301/22	Dowel	1
23	1301/17	Dowel	2
24	B 1506	Spirol Pin	2
25	15055105	Bridge Piece	1
26	B 0515	C'sk. Screw - 1/4" UNC x 1/2" Long	1
27	15048104	Ratchet Gear	1
28	1301/10	Gear Spindle	1
29	1301/11	Washer	1
30	1264/8	Pawl	4
31	1301/7	Pawl Gear	1
32	B 2077	Circlip	1
33	1301/6	Ratchet Gear	1
34	1301/SA2	Roller Bearing	3
35	1301/19	Washer	1
36	1264/6	Gear Spindle	1
37	1300/22	Washer	1
38	1300/SA2	Roller Bearing	1
39	1300/8	Pawl Gear	1
40	1300/7	Ratchet Gear	1
41	15055119	Washer	1
42	15044116	Drum Washer	1
43	15044121	Roller Bearing	3
44A	15000096	Drum - Bronze	1
44B	15055502	Drum - Alloy	1
44C	15055602	Drum - St. Steel	1
45	15044627	Flanged Bush	1
46	15055648	Stripper Arm	1
47	15044637	Split Collet	2
48	B 0733	Skt. Hd. Cap Screw - 1/4" UNC x 3/8" Long	4

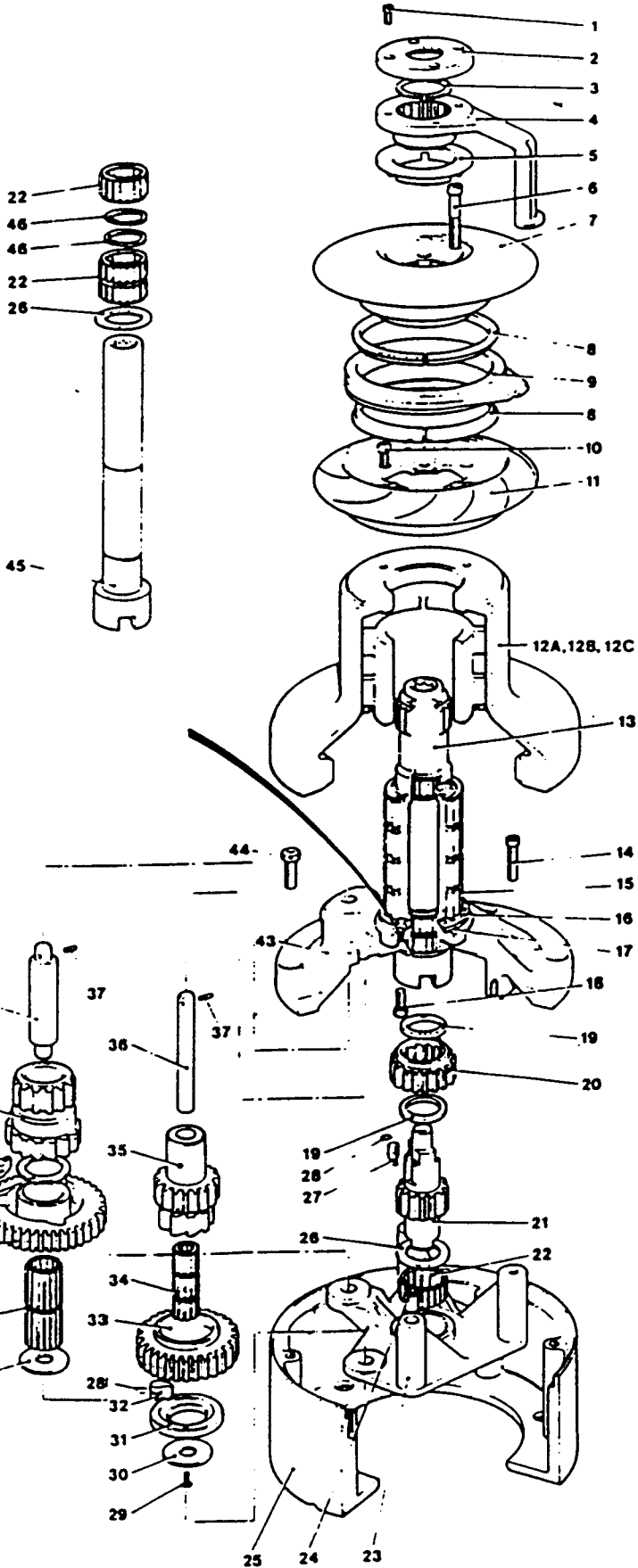
* 15000268 - REPLACE WASHER #42 WITH THICKER ONE

No. 65 ST

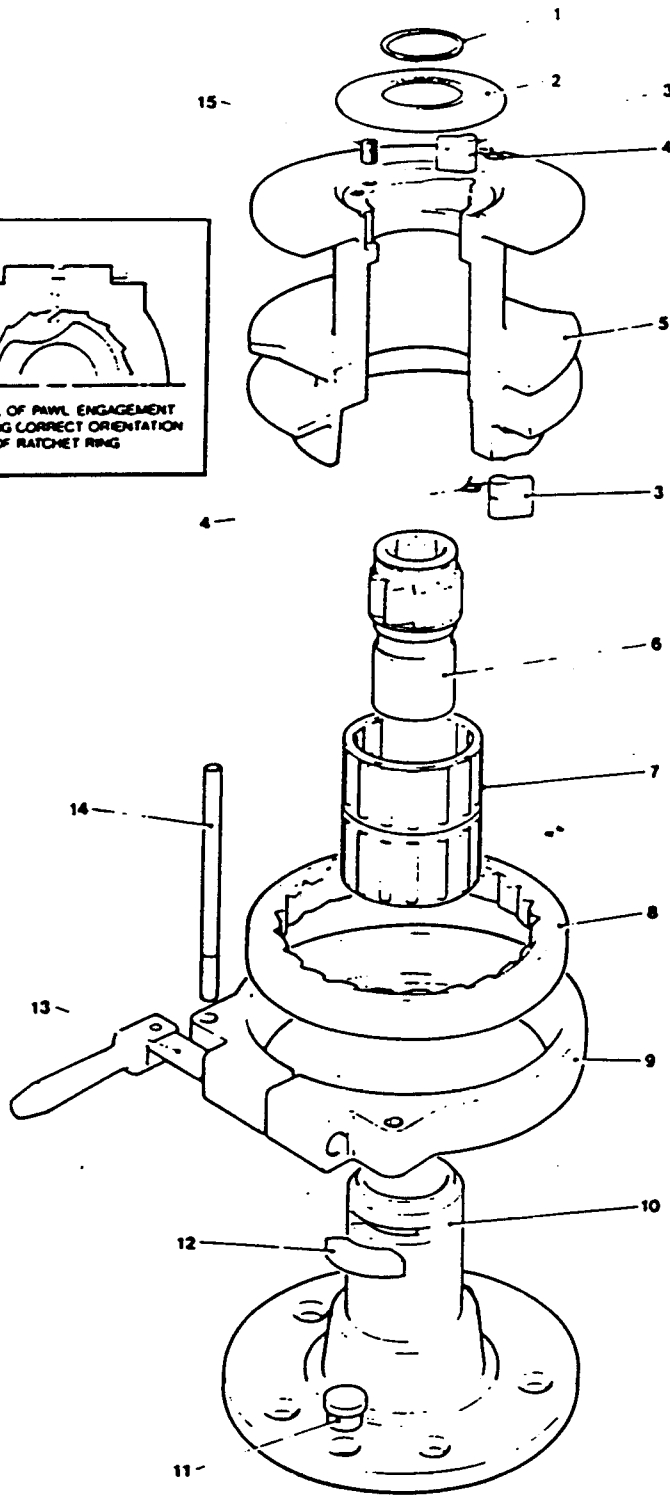
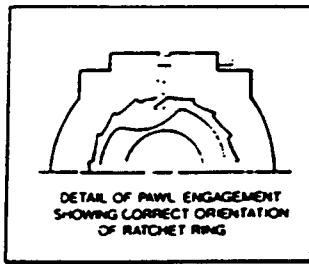
No. 65 Self Tailing Winch

Item No.	Part No.	Description	No. Off
1	B.0733	Skt. Hd. Cap Screw - 1/4" UNC x 3/8" Long	4
2	15044639	Top Cap	1
3	15044637	Split Collet	2
4	(15065648)	Stripper Arm 15065648 NLA	1
5	15044627	Flanged Bush	1
6	B.0731	Skt. Hd. Cap Screw - 1/4" UNC x 1 1/4" Long	3
7	15065644	Upper Crown Plate	1
8	15065641	Stripper Ring Insert	2
9	15065649	Stripper Ring	1
10	B.0709	Skt. Hd. Cap Screw - 1/4" UNC x 1/2" Long	3
11	15065645	Lower Crown Plate	1
12A	15000032	Drum - Bronze	1
12B	15000248	Drum - Alloy	1
12C	15000081	Drum - St. Steel	1
13	15000050	Centre Stem - Upper	1
14	B.0698	Skt. Hd. Cap Screw - 1/4" UNC x 1 1/2" Long	3
15	15044121	Roller Bearing	4
16	18080015	Thrust Bearing	1
17	15000082	Drum Washer	1
18	B.0730	Skt. Hd. Cap Screw - 1/4" UNC x 3/8" Long	8
19	15000303	Spacer	2
20	15000242	Ratchet Gear	1
21	15000241	Spindle Extension	1
22	15000019	Roller Bearing	4
23	15000048	Bridge Piece	1
	15000053	Bridge Piece Sleeve	1
24	15065111	Hollow Dowel	2
25	15000197	Base Alloy	1
26	15000024	Washer	2
27	1260/8	Pawl	2
28	1260/7	Pawl Spring	7
29	B.0511	Csk. Screw - 2BA x 3/8" Long	2
30	15000247	Washer	2
31	15000023	Retaining Plate	1
32	1264/8	Pawl	5
33	15000040	Pawl Gear	1
34	15000017	Roller Bearing	3
35	15000245	Idler Gear	1
36	15000240	Gear Spindle	1
37	B.1501	Spiral Pin	2
38	15000018	Roller Bearing	2
39	15000244	Pawl Gear	1
40	15000246	Washer	1
41	15000243	Ratchet Gear	1
42	15000239	Gear Spindle	1
43	15000049	Centre Stem - Lower	1
44	B.0714	Skt. Hd. Cap Screw - 1/4" UNC x 3/8" Long	6
45	15000238	Main Spindle	1
46	B.2086	Circclip	2

15001302
w/
B0760



No. 1

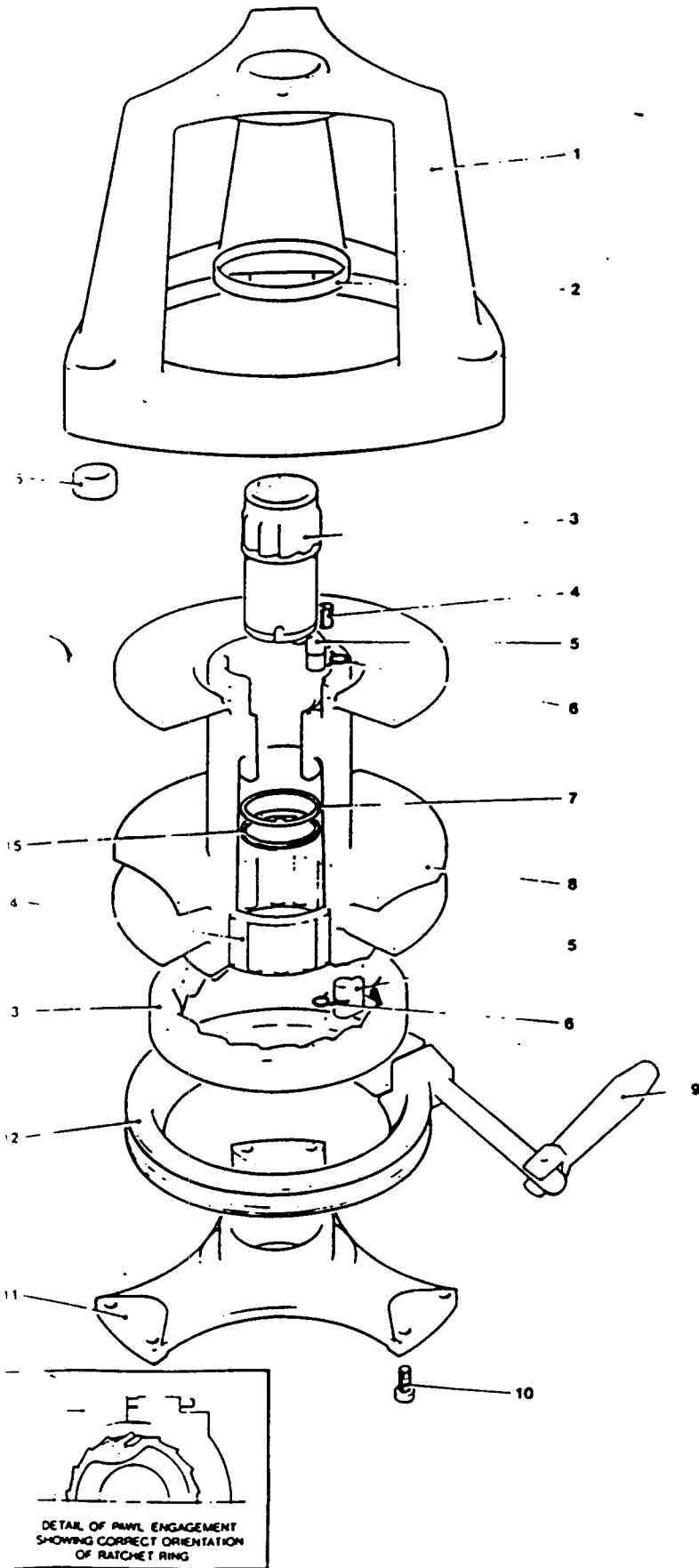


No. 1 Halliard Winch			
Item No.	Part No.	Description	No. Off
1	B.2075	Circlip	1
2	18000047	Top Cap	1
3	1260/8	Pawl	4
4	1260/7	Pawl Spring	4
5	15001022	Drum	1
6	15008003	Spindle	1
7	15008007	Roller Bearing	2
8	15001024	Ratchet Ring	1
9	15001025	Brake Strap	1
10	B.1992	Halliard Plate	1
11	15001021	Centre Stem	1
12	15001008	Locating Pin	1
13	15008005	Key	1
14	15001010	Brake Lever	1
	15001011	Brake Screw	1
	15001009	Handle Rivet	1
15	15001006	Guard Rod	2
	B.0901	Grub Screw	2

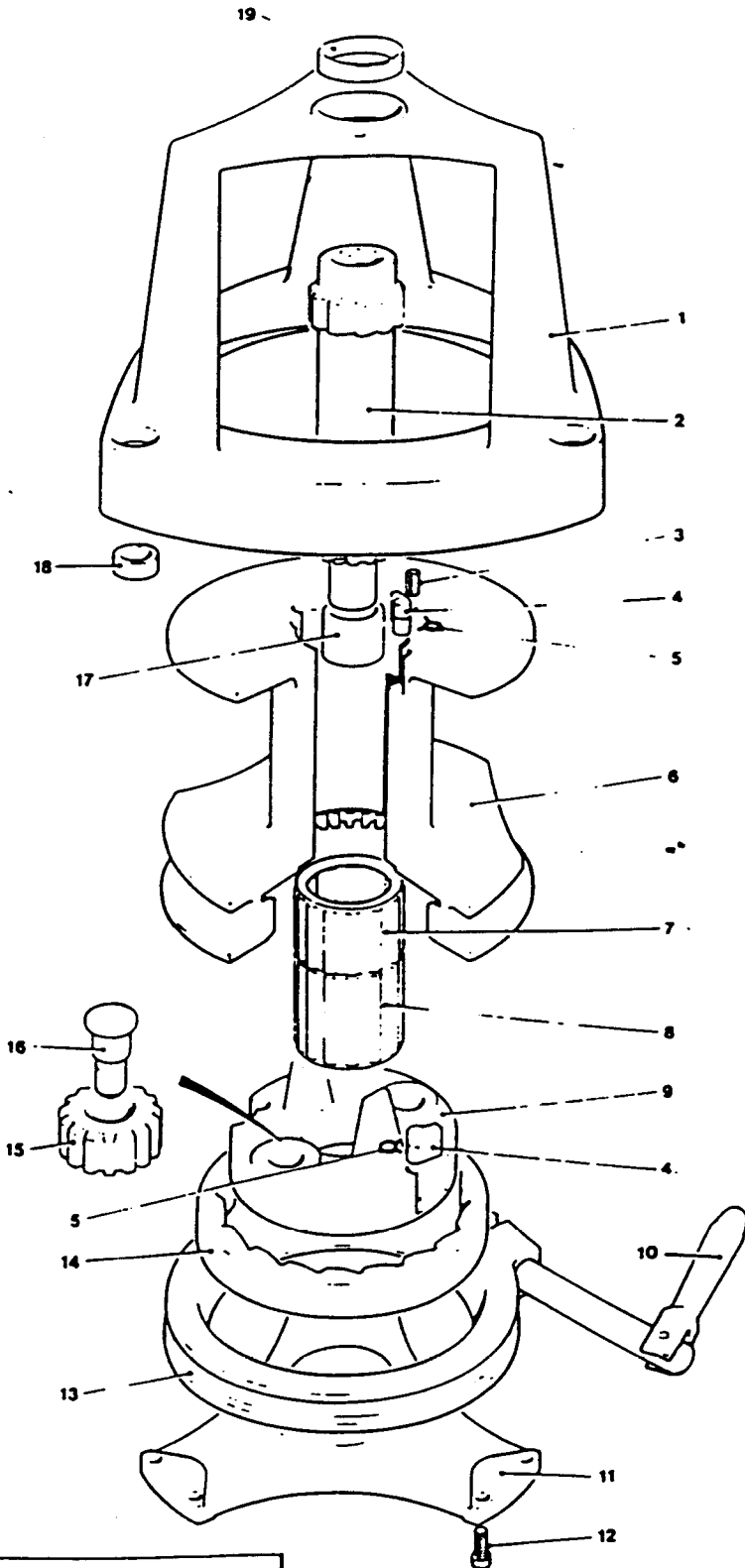
No. 2

No. 2 Halliard Winch

Item No.	Part No.	Description	No. Off
1	1282/1	Drum Casing	1
2	1282/8	Bush	1
3	1266/3	Main Spindle	1
4	B 0901	Grub Screw	2
5	1260/8	Pawl	4
6	1260/7	Pawl Spring	4
7	1266/6	Tab Washer	1
8	1282/2	Drum	1
9	15001010	Brake Lever	1
	15001009	Handle Rivet	1
	1282/7	Brake Screw	1
10	B 0705	Screw	6
11	1282/5	Base Plate	1
12	1280/4	Brake Strap	1
	B 1992	Halliard Plate	1
13	1280/7	Ratchet Ring	1
14	1260/SA2	Roller Bearing	1
15	B 2080	Circlip	1
16	1283/13	Casing Insert	1



No. 2-2



No. 2 2 Speed Halliard Winch

Item No.	Part No.	Description	No. Off
1	1280/1	Drum Casing	1
2	1280/3	Spindle	1
3	B.0901	Grub Screw	2
4	1260/8	Pawl	4
5	1260/7	Pawl Spring	4
6	1280/2	Drum	1
7	1287/SA1	Roller Bearing	1
8	1264/SA2	Roller Bearing	1
9	1280/6	Planet Carriage	1
10	15001010	Brake Lever	1
	15001009	Handle Rivet	1
	1282/7	Brake Screw	1
11	1280/5	Base Plate	1
12	B.0705	Screw	6
13	1280/4	Brake Strap	1
	B.1992	Halliard Plate	1
14	1280/7	Ratchet Ring	1
15	1280/8	Idler Gear	2
16	1280/9	Idler Spindle	2
17	B.1630	Bush	1
18	1283/13	Insert	3
19	1280/10	Strip Bearing	1